

COMMERCIAL GAS-FIRED WATER HEATERS OWNER'S MANUAL SUPPLEMENT INSTALLATION AND OPERATING INSTRUCTIONS



⚠ WARNING

This water heater **IS NOT** design certified for installation in a mobile home or for installation outdoors.

⚠ WARNING

If the information in these instructions is not followed exactly, a fire or explosion may result causing property damage, personal injury, or death.

DO NOT store or use gasoline or other flammable vapours and liquids in the vicinity of this or any other appliance.

WHAT TO DO IF YOU SMELL GAS

- **DO NOT** try to light any appliance.
- **DO NOT** touch any electrical switch, **DO NOT** use any phone in your building.
- **From a neighbour's phone, immediately call your gas supplier.** Follow the gas supplier's instructions.
- If you cannot reach your gas supplier, call the fire department.

Installation and service must be performed by a qualified installer, service agency, or the gas supplier.

IMPORTANT

READ THESE INSTRUCTIONS CAREFULLY BEFORE BEGINNING THE INSTALLATION. PROPER INSTALLATION WILL PROVIDE SAFE & EFFICIENT SERVICE, AND AVOID NEEDLESS EXPENSES NOT COVERED BY THE WARRANTY. READ THE PRODUCT WARRANTY IN THE OWNER'S MANUAL AND REMEMBER TO FILL OUT AND RETURN TO THE MANUFACTURER ALL RELEVANT WARRANTY CARDS AND CERTIFICATES. SHOULD YOU HAVE ANY QUESTIONS, PLEASE CONTACT YOUR LOCAL DEALER OR REFER TO THE **GETTING SERVICE FOR YOUR WATER HEATER** SECTION OF THE OWNER'S MANUAL. **SAVE THIS MANUAL FOR FUTURE REFERENCES**

Optional Side Wall Power Vent Kits

This water heater is approved for installation with a Tjernlund side wall power vent kit (see **Figure 7**). This kit can be installed as part of a new installation or retrofitted onto an existing installation. The kit consists of a power venter and vent termination assembly (see **Table 1 and Figure 9**). Vent piping is not included. Before beginning the installation of the power vent kit, make sure that it is the appropriate kit for your model of water heater (see **Table 2**). Make sure that the water heater is located so that all vent terminal clearances will be respected (see **Owner's Manual Figure 8**). For complete instructions on the side wall vent kit installation, consult the manual that comes with the kit.

⚠ WARNING

When the installation is complete, visually inspect the venting system to make sure that all joints are properly connected and all instructions have been followed. Failure to properly install the venting system could result in property damage, personal injury, or death.

Wiring

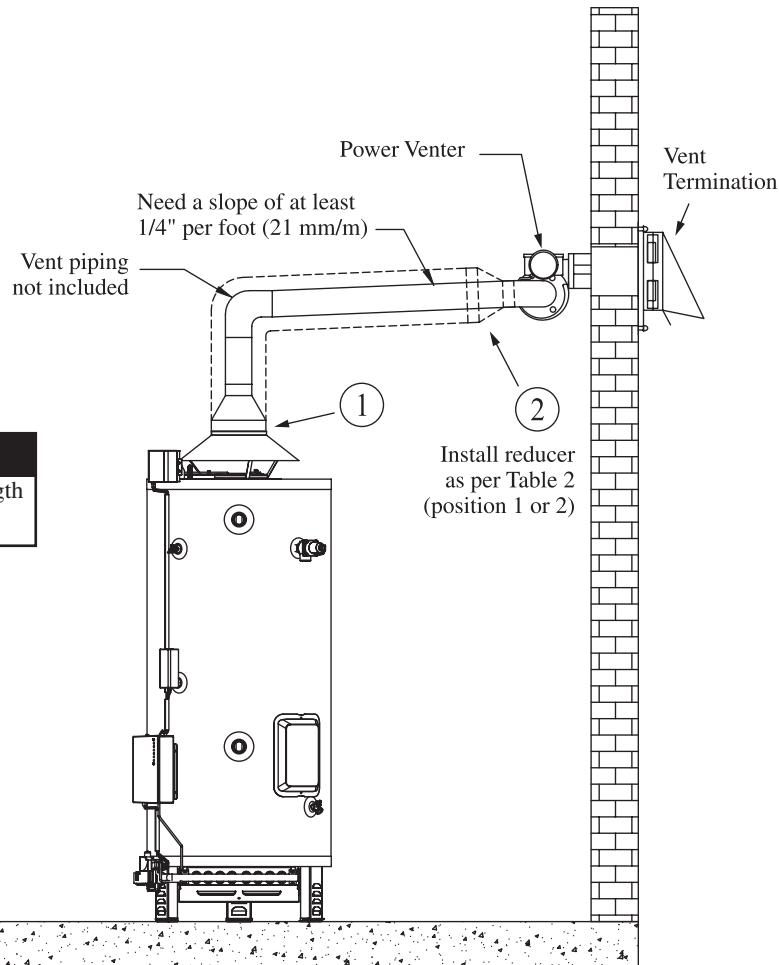
⚠ WARNING

This water heater uses an external electrical source for power. It must be electrically grounded in accordance with all local codes or, in the absence of local codes, the latest edition of CAN/CSA C22.1 Canadian Electrical Code, in Canada, and/or the latest edition of the National Electrical Code, ANSI/NFPA 70, in the United States. Failure to properly ground this water heater can result in property damage, personal injury, or death.

Before lighting your water heater, check that all of the wires have been installed correctly (see **Figure 13**). Make sure that none of the wires are grounded, have split, or are broken. Verify that all wiring connections are properly secured, as there is a possibility that they have become loose during transport. If any of the original wiring needs replacing, use only 18AWG type or greater wire that is approved for 221°F (105°C).

If you are installing a side wall power vent kit, use the following instructions to connect the power venter to the water heater (see **Figures 12 & 13**).

Figure 7



IMPORTANT

The maximum equivalent vent pipe length is fifty (50) feet for each models.

Table 1 — Power Venter Including Vent Terminal

Models	Kit#	Motor		DIMENSIONS (inches)										Vent hood	Inlet/
		Watts	Amps	A	B	C	D	E	F	G	H	I	J	Rough-in	Outlet
UG73-125NH to UG73-150NH	1	95	1.26	7 7/8	7	11	4	7 1/2 ^(a)	7 1/8	13 ^(a)	8 5/8	7 3/8	11	8 ^(a)	4
UG73-150N to UG65-360N	2	224	1.51	9 1/4	8 1/2	11 1/2	6	8 1/2 ^(a)	7 7/8	12 ^(a)	9 1/2	10 1/2	10	9 ^(a)	6

Kit #1	Power Venter	Vent Termination
HS1	Giant's part number 80000009-A.	VH1-4 : Giant's part number 80000109-A
Kit #2	HS2: Giant's part number 80000010-A	VH1-6 : Giant's part number 80000110-A

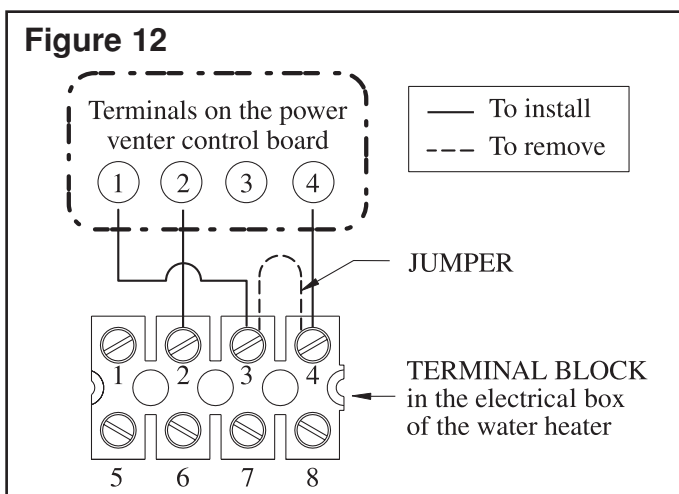
Note : Max vent length based on total of straight vent pipe plus 11 feet for a 6" dia. 90° elbow, 7 feet for a 4" dia. 90° elbow, 5 feet for a 6" dia. 45° elbow, 4 feet for a 4" dia. 45° elbow, 4 feet for a 8" to 6" reducer and 5 feet for a 6" to 4" reducer.

Table 2

MODEL	Kit #	Draft hood Outlet	Vent Size	Vent adapter	Vent reducer Location
UG73-125NH	1	5"	4"	5"-4"	1
UG73-125N	1	5"	4"	5"-4"	1
UG73-150NH	1	6"	6"	6"-4"	2
UG73-150N	2	6"	6"	Not Req.	—
UG73-200NH	2	6"	6"	Not Req.	—
UG73-200N	2	6"	6"	Not Req.	—
UG65-250NH	2	7"	6"	7"-6"	1
UG65-250N	2	7"	6"	7"-6"	1
UG65-300NH	2	8"	6"	8"-6"	1
UG65-300N	2	8"	6"	8"-6"	1
UG65-360NH	2	8"	8"	8"-6"	2
UG65-360N	2	8"	8"	8"-6"	2

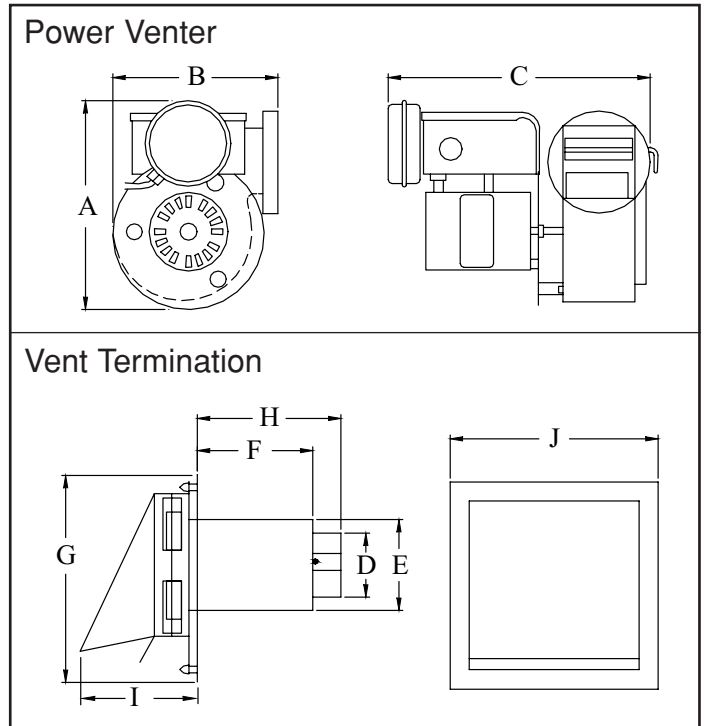
Note : Vent pipe is not included

- 1) In the electrical box of the water heater, remove the jumper between positions 3 and 4 on the terminal block (Figure 12).
- 2) Install the wires from the power venter control board to the positions on the terminal block in the electrical box of the water heater.



All 24 volt wiring between the power venter and the terminal block of the water heater must be at least 18AWG type. All 115 volt wiring must be at least 14AWG type. All wiring must meet all local codes or, in the absence of local codes, the latest edition of CSA C22.1 Canadian Electrical Code, in Canada, and/or the latest edition of the National Electrical Code, ANSI/NFPA 70, in the United States.

Figure 9



If the power venter has been bought through a wholesaler, some settings need to be changed on the control board before putting the water heater into operation. The voltage needs to be set at 24 Volts. This can be done by moving the red voltage jumper on the 24V prongs. For detailed instructions on how to adjust the power vent settings, consult the Owner's Manual that comes with the Tjernlund Power Venter.

If the power venter has been bought directly from Giant Factories, the settings have been factory adjusted to match the specifications of the water heater. A label will be affixed on the box stating that it was factory adjusted to Giant Factories commercial gas water heater specifications.

Giant Settings on Power Venter

Voltage : 24 Volts
 Pre-purge : 0 sec.
 Post-purge : 2 min.

! WARNING

If the water heater requires servicing, label all wires prior to disconnecting them. Verify all wiring connections before re-lighting the water heater. Wiring errors can result in property damage, personal injury, or death.

Figure 13

**OPTIONAL POWER VENTER/
Tjernlund Model HS1 & HS2
CONTROL BOARD**

