



Enhancing everyday living

# ENGINEERING SUBMITTAL DATA SHEET

Commercial gas-fired water heaters, atmospheric, heavy duty

## UG73 MODELS

61 imperial gallons / 276 litres

insulated with 2" high density fiberglass



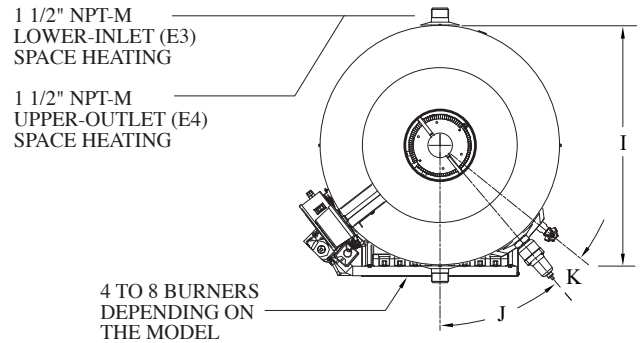
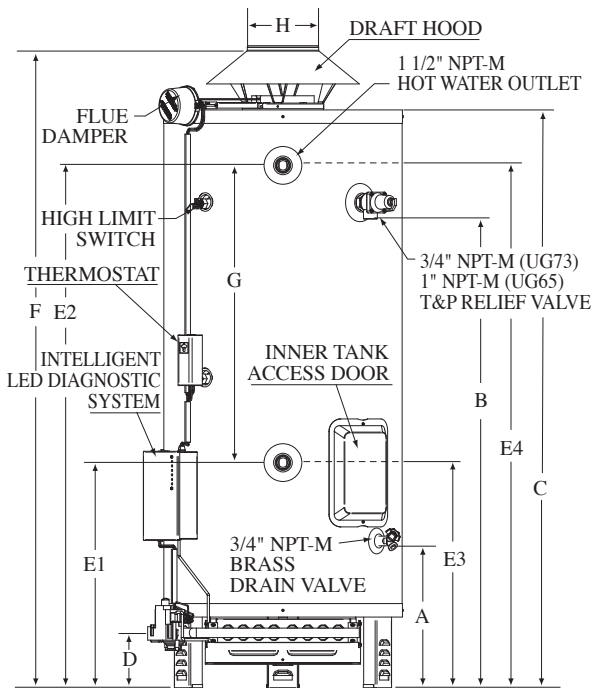
C US  
LOW LEAD  
CONTENT



Models	Storage Capacity			Type of gas	Input BTU	Recovery 100 °F (56 °C)			Altitude	Est. ship. weight lb (kg)
	(US) gal	Litres	Imp. gal			(US) gal	Litres	Imp. gal		
UG73-125N	72	273	60	N	125,000	121,2	458,8	100,9	0 to 7,700 ft	429 (195)
UG73-150N	70	265	58	N	150,000	145,5	550,6	121,1	0 to 7,700 ft	429 (195)
UG73-200N	68	257	57	N	200,000	193,9	734,1	161,5	0 to 7,700 ft	429 (195)

### DIMENSIONS inches (cm)

Models	A	B	C	D	E1	E2	E3	E4	F	G	H	I	J	K
UG73	15 3/4 (40)	52 1/2 (133)	64 3/8 (164)	5 7/8 (15)	25 1/4 (64)	58 1/4 (148)	25 1/4 (64)	58 1/4 (148)	70 7/8 (180)	33 (84)	6 (15)	26 1/2 (67)	40.3°	10.9"
UG73-125	15 3/4 (40)	52 1/2 (133)	64 3/8 (164)	5 7/8 (15)	25 1/4 (64)	58 1/4 (148)	25 1/4 (64)	58 1/4 (148)	69 1/4 (176)	33 (84)	5 (13)	26 1/2 (67)	40.3°	10.9"



JOB TITLE \_\_\_\_\_

ADDRESS \_\_\_\_\_

CONTRACTOR \_\_\_\_\_

ADDRESS \_\_\_\_\_

ENGINEER \_\_\_\_\_

SUBMITTED DATE \_\_\_\_\_

REQUIRED PRODUCT \_\_\_\_\_

MODEL NO. \_\_\_\_\_ SIZE \_\_\_\_\_ QUANTITY \_\_\_\_\_

MODEL NO. \_\_\_\_\_ SIZE \_\_\_\_\_ QUANTITY \_\_\_\_\_

MODEL NO. \_\_\_\_\_ SIZE \_\_\_\_\_ QUANTITY \_\_\_\_\_

MODEL NO. \_\_\_\_\_ SIZE \_\_\_\_\_ QUANTITY \_\_\_\_\_

REQUIRED DATE \_\_\_\_\_

In accordance with our company policy of on-going product improvement, Giant Factories Inc. reserves the right to make changes without prior notice.

giantinc.com



40 Lesage Avenue, Montréal-East (Québec) Canada H1B 5H3 • Telephone: (514) 645-8893 • Fax: (514) 640-0969