



Enhancing everyday living

ENGINEERING SUBMITTAL DATA SHEET

Commercial gas-fired water heaters, atmospheric, heavy duty

UG65 MODELS

54 imperial gallons / 246 litres

insulated with 2" high density fiberglass



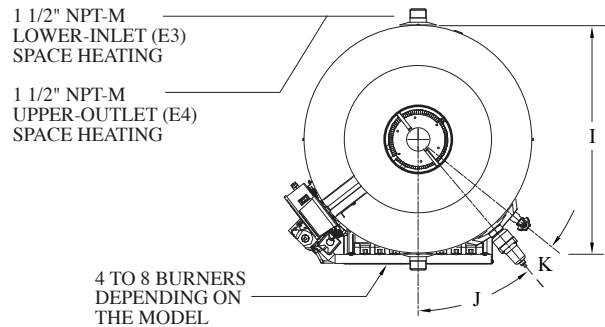
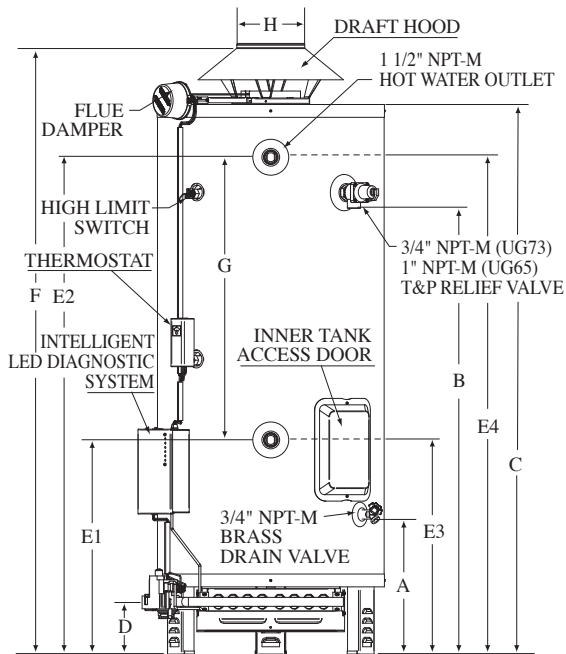
C US
LOW LEAD
CONTENT



Models	Storage Capacity			Type of gas	Input BTU	Recovery 100 °F (56 °C)			Altitude	Est. ship. weight lb (kg)
	(US) gal	Litres	Imp. gal			(US) gal	Litres	Imp. gal		
UG65-250N	60	227	50	N	250,000	242.4	917.7	201.9	0 to 7,700 ft	465 (211)
UG65-300N	55	208	46	N	300,000	290.9	1,101.2	242.2	N	465 (211)
UG65-360NH	55	208	46	N	324,000	314.2	1,189.4	261.6	N & H	465 (211)
UG65-360N	55	208	46	N	360,000	349.1	1,321.5	290.7	N	465 (211)

DIMENSIONS inches (cm)

Models	A	B	C	D	E1	E2	E3	E4	F	G	H	I	J	K
UG65-250	15 3/4 (40)	52 1/2 (132)	64 1/8 (163)	5 7/8 (15)	25 1/4 (64)	58 1/4 (148)	25 1/4 (64)	58 1/4 (148)	70 7/8 (180)	33 (84)	7 (18)	26 1/2 (67)	40.3"	10.9"
UG65-300	15 3/4 (40)	52 1/4 (133)	64 1/8 (163)	5 7/8 (15)	25 1/4 (64)	58 1/4 (148)	25 1/4 (64)	58 1/4 (148)	71 5/8 (182)	33 (84)	8 (20)	26 1/2 (67)	40.3"	10.9"
UG65-360	16 (41)	52 1/2 (133)	64 1/4 (163)	6 1/4 (16)	25 1/4 (64)	58 1/4 (148)	25 1/4 (64)	58 1/4 (148)	71 1/2 (182)	33 (84)	8 (20)	26 1/2 (67)	40.3"	10.9"



JOB TITLE _____

ADDRESS _____

CONTRACTOR _____

ADDRESS _____

ENGINEER _____

SUBMITTED DATE _____

REQUIRED PRODUCT _____

MODEL NO. _____ SIZE _____ QUANTITY _____

MODEL NO. _____ SIZE _____ QUANTITY _____

MODEL NO. _____ SIZE _____ QUANTITY _____

MODEL NO. _____ SIZE _____ QUANTITY _____

REQUIRED DATE _____

In accordance with our company policy of on-going product improvement, Giant Factories Inc. reserves the right to make changes without prior notice.

giantinc.com



40 Lesage Avenue, Montréal-East (Québec) Canada H1B 5H3 • Telephone: (514) 645-8893 • Fax: (514) 640-0969