



Enhancing everyday living



# ENGINEERING SUBMITTAL DATA SHEET

FVIR compliant residential power vent  
natural & propane gas-fired water heaters

## UG60 MODELS

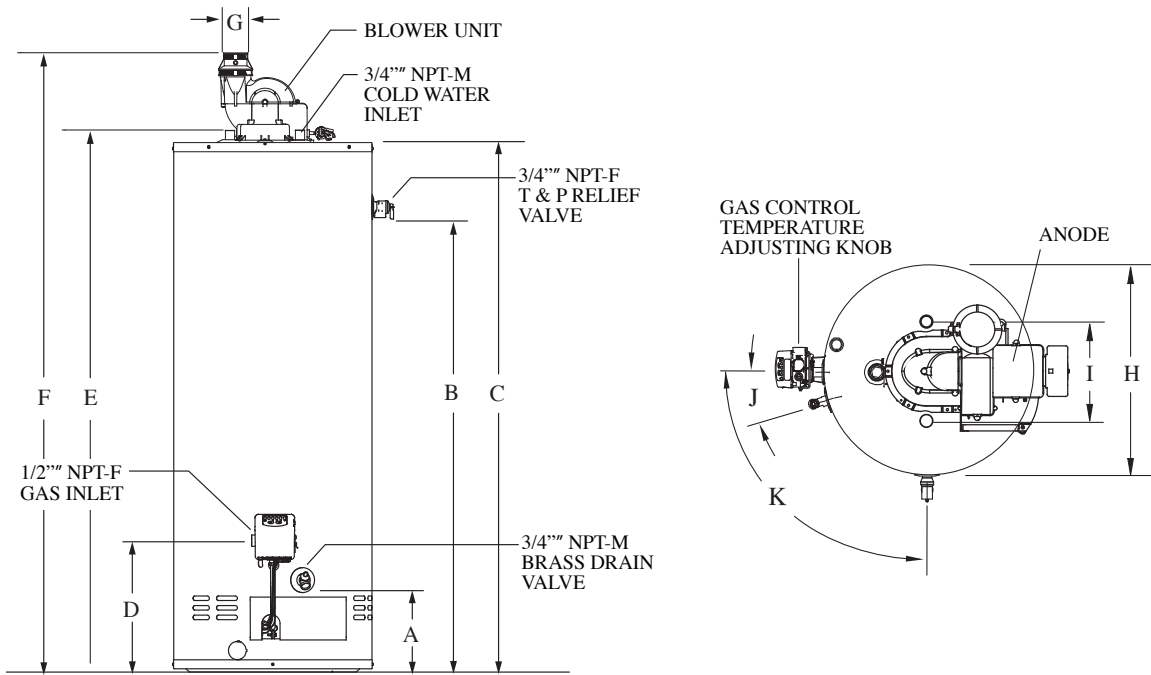
50 imperial gallons / 227 litres  
insulated with 1 3/4" eco-friendly **GREENFOAM**

These models meet the safety and construction requirements of CSA 4.1 Standard and meet or exceed NRCan energy efficiency requirements

Models	Storage Capacity			Type of gas	Input BTU	Recovery 90 °F / 50 °C			E.F. Number	Altitude	Est. ship. weight lb (kg)
	U.S. gal	Litres	Imp. gal			U.S. gal	Litres	Imp. gal			
UG60-40MFPV2-N2U	60	227	50	N	40,000	42.0	159.0	35.0	0.67	N & H	205 (93)
UG60-38MFPV2-P2U	60	227	50	LP	38,000	40.9	155.0	34.1	0.67	N & H	205 (93)

DIMENSIONS Inches (cm)

Models	A	B	C	D	E	F	G	H	I	J	K
All UG60	7 1/8 (18)	48 (122)	56 1/2 (144)	12 (31)	57 7/8 (147)	66 5/8 (169)	2-3 (5-7.6)	23 1/2 (60)	8 (20)	15.6°	90.0°



JOB TITLE \_\_\_\_\_

ADDRESS \_\_\_\_\_

CONTRACTOR \_\_\_\_\_

ADDRESS \_\_\_\_\_

ENGINEER \_\_\_\_\_

SUBMITTED DATE \_\_\_\_\_

REQUIRED PRODUCT \_\_\_\_\_

MODEL NO. \_\_\_\_\_ SIZE \_\_\_\_\_ QUANTITY \_\_\_\_\_

MODEL NO. \_\_\_\_\_ SIZE \_\_\_\_\_ QUANTITY \_\_\_\_\_

MODEL NO. \_\_\_\_\_ SIZE \_\_\_\_\_ QUANTITY \_\_\_\_\_

MODEL NO. \_\_\_\_\_ SIZE \_\_\_\_\_ QUANTITY \_\_\_\_\_

REQUIRED DATE \_\_\_\_\_

In accordance with our company policy of on-going product improvement, Giant Factories Inc. reserves the right to make changes without prior notice.

[giantinc.com](http://giantinc.com)



40 Lesage Avenue, Montréal-East (Québec) Canada H1B 5H3 • Telephone: (514) 645-8893 • Fax: (514) 640-0969