



Enhancing everyday living



ENGINEERING SUBMITTAL DATA SHEET

C191.0 Residential electric water heaters
SUPER CASCADE - ECOPEAK® - bottom entry, double glass

172EPS MODELS

61 imperial gallons / 279 litres
 insulated with 1 3/4" eco-friendly **GREENFOAM™**



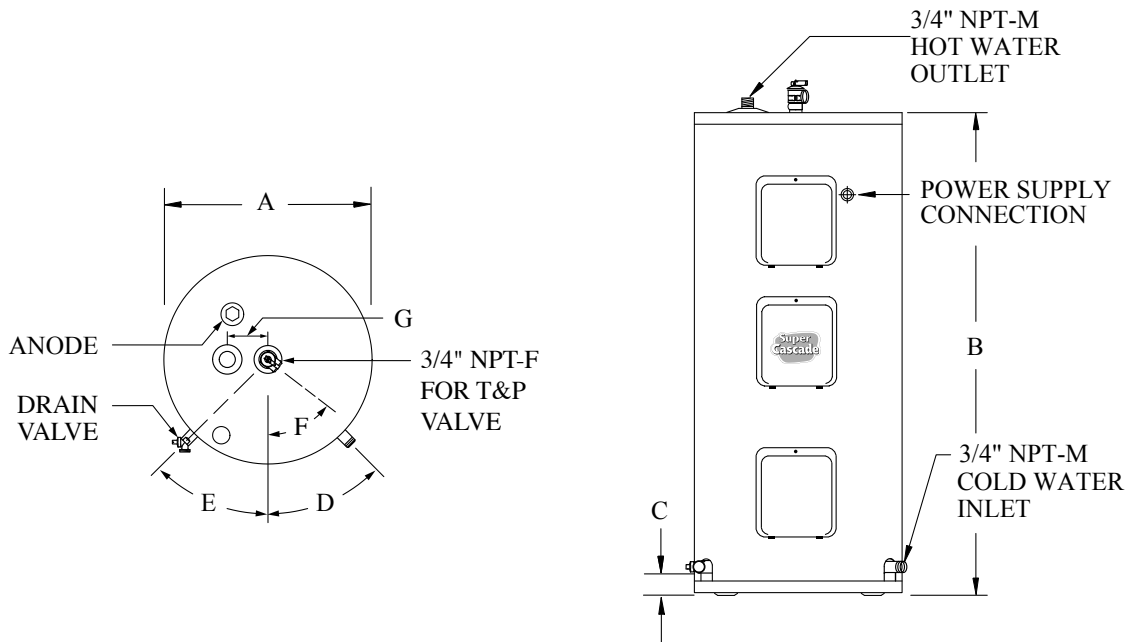
These models meet the safety and construction requirements of CSA 22.2 Standard and meet or exceed NRCan energy efficiency requirements

Models	Storage Capacity			Input Max.	Voltage	Standby loss	Elements *		
	US gal.	Litres	Imp. gal.				Top	Middle	Bottom
172EPS-2F8M	74	279	61	3,800 W	208 V	89 W	3,800 W	3,000 W	800 W
172EPS-3F8M	74	279	61	3,800 W	240 V	89 W	3,800 W	3,000 W	800 W

*Top element works on an individual basis while middle and bottom elements work simultaneously.

DIMENSIONS

Diameter (A) In. (cm)	Height (B) In. (cm)	C In. (cm)	D	E	F	G In. (cm)	Plumbing connections	Estimated ship. weight lb (kg)
24 (61)	59 7/8 (152)	2 1/2 (6)	45°	45°	52°	4 (10)	3/4" NPT	185 (84)



JOB TITLE _____

ADDRESS _____

CONTRACTOR _____

ADDRESS _____

ENGINEER _____

SUBMITTED DATE _____

REQUIRED PRODUCT _____

MODEL NO. _____ SIZE _____ QUANTITY _____

MODEL NO. _____ SIZE _____ QUANTITY _____

MODEL NO. _____ SIZE _____ QUANTITY _____

MODEL NO. _____ SIZE _____ QUANTITY _____

REQUIRED DATE _____

In accordance with our company policy of on-going product improvement, Giant Factories Inc. reserves the right to make changes without prior notice.

giantinc.com



40 Lesage Avenue, Montréal-East (Québec) Canada H1B 5H3 • Telephone: (514) 645-8893 • Fax: (514) 640-0969