



Enhancing everyday living



ENGINEERING SUBMITTAL DATA SHEET

C191.1 bottom entry residential electric water heaters

172E-E8 MODELS

61 imperial gallons / 279 litres

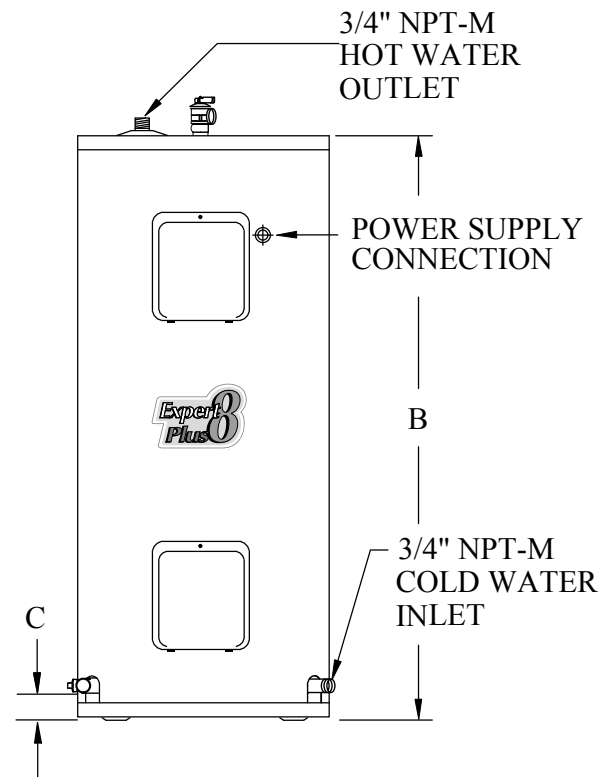
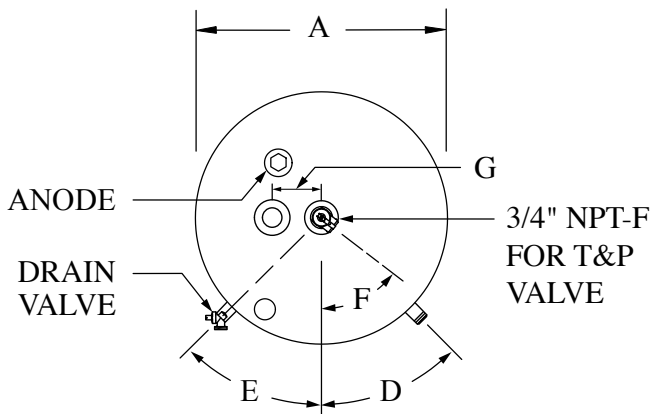
insulated with 1 3/4" eco-friendly GREENFOAM



These models meet the safety and construction requirements of CSA 22.2

Standard and meet or exceed NRCan energy efficiency requirements

Models	Storage Capacity			Input	Voltage	Standby loss	Diameter (A) In. (cm)	Height (B) In. (cm)	C In. (cm)	D	E	F	G In. (cm)	Plumbing connections	Est. ship. weight lb (kg)
	U.S. gal	Litres	Imp. gal												
172E-2S8M-E8	74	279	61	4,500 W	208 V	89 W	24 (61)	60 (152)	2 1/8 (5)	45°	45°	52°	4 (10)	3/4" NPT	185 (84)
172E-3S8M-E8	74	279	61	4,500 W	240 V	89 W	24 (61)	60 (152)	2 1/8 (5)	45°	45°	52°	4 (10)	3/4" NPT	185 (84)
172E-3S8M-E800	74	279	61	6,000 W	240 V	89 W	24 (61)	60 (152)	2 1/8 (5)	45°	45°	52°	4 (10)	3/4" NPT	185 (84)



JOB TITLE

ADDRESS

CONTRACTOR

ADDRESS

ENGINEER

SUBMITTED DATE

REQUIRED PRODUCT

MODEL NO. SIZE QUANTITY

MODEL NO. SIZE QUANTITY

MODEL NO. SIZE QUANTITY

MODEL NO. SIZE QUANTITY

REQUIRED DATE

In accordance with our company policy of on-going product improvement, Giant Factories Inc. reserves the right to make changes without prior notice.

giantinc.com



40 Lesage Avenue, Montréal-East (Québec) Canada H1B 5H3 • Telephone: (514) 645-8893 • Fax: (514) 640-0969