



Enhancing everyday living



# ENGINEERING SUBMITTAL DATA SHEET

C191.0 Residential electric water heaters  
**CASCADE - ECOPEAK® - bottom entry, single glass**

## 172BPS MODELS

61 imperial gallons / 279 litres  
 insulated with 1 3/4" eco-friendly **GREENFOAM™**



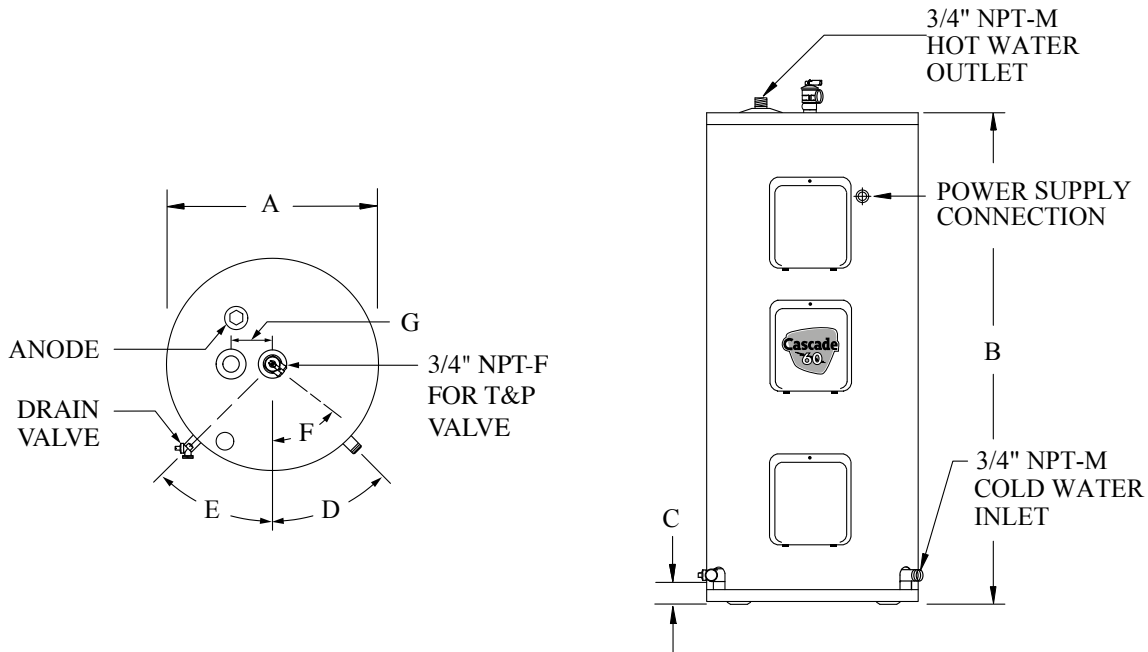
These models meet the safety and construction requirements of CSA 22.2 Standard and meet or exceed NRCan energy efficiency requirements

Models	Storage Capacity			Input Max.	Voltage	Standby loss	Elements *		
	US gal.	Litres	Imp. gal.				Top	Middle	Bottom
172BPS-2F7M	74	279	61	3,800 W	208 V	89 W	3,800 W	3,000 W	800 W
172BPS-3F7M	74	279	61	3,800 W	240 V	89 W	3,800 W	3,000 W	800 W

\*Top element works on an individual basis while middle and bottom elements work simultaneously.

### DIMENSIONS

Diameter (A) In. (cm)	Height (B) In. (cm)	C In. (cm)	D	E	F	G In. (cm)	Plumbing connections	Estimated ship. weight lb (kg)
24 (61)	59 7/8 (152)	2 1/2 (6)	45°	45°	52°	4 (10)	3/4" NPT	185 (84)



JOB TITLE

ADDRESS

CONTRACTOR

ADDRESS

ENGINEER

SUBMITTED DATE

REQUIRED PRODUCT

MODEL NO. SIZE QUANTITY

MODEL NO. SIZE QUANTITY

MODEL NO. SIZE QUANTITY

MODEL NO. SIZE QUANTITY

REQUIRED DATE

In accordance with our company policy of on-going product improvement, Giant Factories Inc. reserves the right to make changes without prior notice.

[giantinc.com](http://giantinc.com)



40 Lesage Avenue, Montréal-East (Québec) Canada H1B 5H3 • Telephone: (514) 645-8893 • Fax: (514) 640-0969