



Enhancing everyday living



ENGINEERING SUBMITTAL DATA SHEET

C191.0 CASCADE bottom entry residential electric water heaters

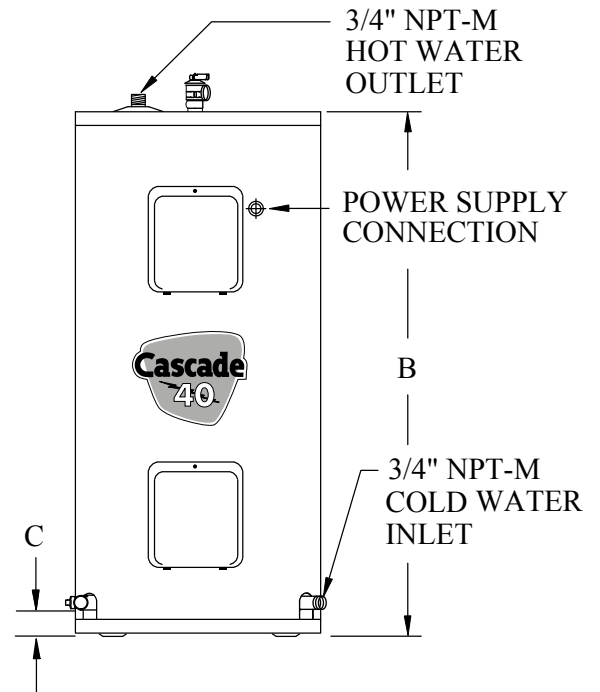
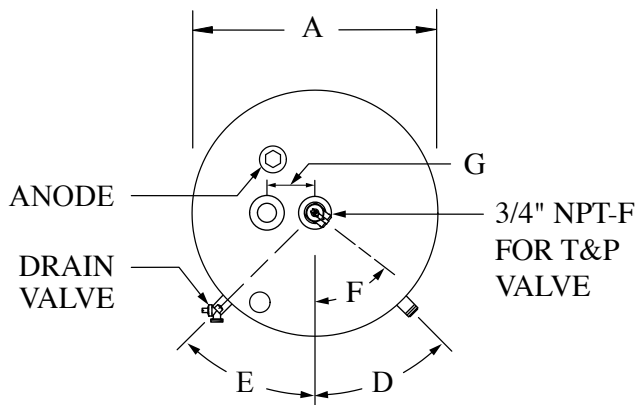
152B MODELS



41 imperial gallons / 184 litres
insulated with 2" eco-friendly GREENFOAM™

These models meet the safety and construction requirements of CSA 22.2 Standard and meet or exceed NRCan energy efficiency requirements

Models	Storage Capacity			Input	Voltage	Standby loss	Diameter (A)	Height (B)	C	D	E	F	G	Plumbing connections	Est. ship. weight lb (kg)
	US gal.	Litres	Imp. gal.				In. (cm)	In. (cm)	In. (cm)				In. (cm)		
152B-1F7M	49	184	41	1,500 W	120 V	66 W	22 (56)	49 ¼ (125)	2 ½ (6)	45°	45°	52°	4 (10)	3/4" NPT	140 (64)
152B-2F7M	49	184	41	3,000 W	208 V	66 W	22 (56)	49 ¼ (125)	2 ½ (6)	45°	45°	52°	4 (10)	3/4" NPT	140 (64)
152B-3F7M	49	184	41	3,000 W	240 V	66 W	22 (56)	49 ¼ (125)	2 ½ (6)	45°	45°	52°	4 (10)	3/4" NPT	140 (64)



JOB TITLE

ADDRESS

CONTRACTOR

ADDRESS

ENGINEER

SUBMITTED DATE

REQUIRED PRODUCT

MODEL NO. SIZE QUANTITY

MODEL NO. SIZE QUANTITY

MODEL NO. SIZE QUANTITY

MODEL NO. SIZE QUANTITY

REQUIRED DATE

In accordance with our company policy of on-going product improvement, Giant Factories Inc. reserves the right to make changes without prior notice.

giantinc.com



40 Lesage Avenue, Montréal-East (Québec) Canada H1B 5H3 • Telephone: (514) 645-8893 • Fax: (514) 640-0969