



Enhancing everyday living



ENGINEERING SUBMITTAL DATA SHEET

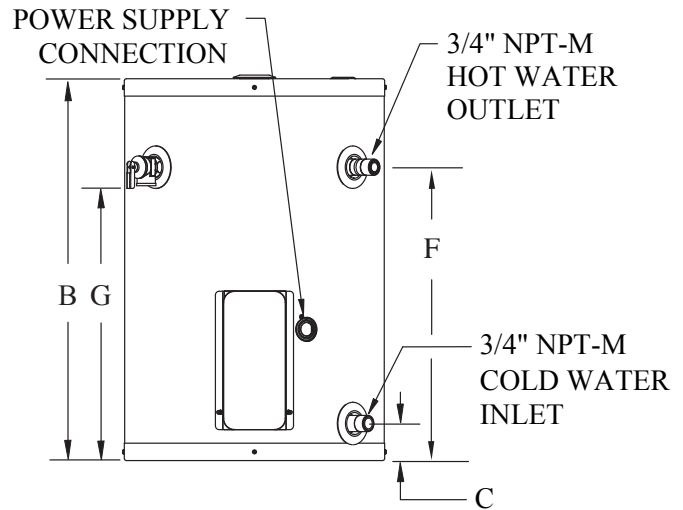
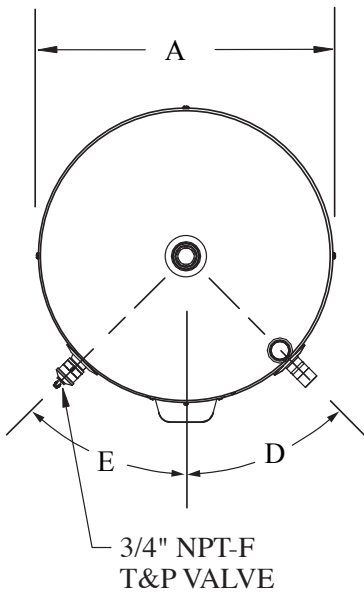
Side entry point of use electric compact water heaters

119SEO MODELS

16 imperial gallons / 72 litres
insulated with 1 1/4" fiberglass

These models meet or exceed the safety and construction requirements of CSA 22.2 Standard

Models	Storage Capacity			Input	Voltage	Diameter (A) In. (cm)	Height (B) In. (cm)	C In. (cm)	D	E	F In. (cm)	G In. (cm)	Plumbing connections	Est. ship. wt. lb (kg)
	US gal.	Litres	Imp. gal.											
119SEO-1R5M	19	72	16	1,500 W	120 V	18 1/4 (46)	26 1/2 (67)	2 5/8 (7)	45°	45°	20 5/8 (52)	19 3/8 (49)	3/4" NPT	65 (30)
119SEO-3R5M	19	72	16	3,000 W/2,250 W	240 V/208 V	18 1/4 (46)	26 1/2 (67)	2 5/8 (7)	45°	45°	20 5/8 (52)	19 3/8 (49)	3/4" NPT	65 (30)



JOB TITLE _____

ADDRESS _____

CONTRACTOR _____

ADDRESS _____

ENGINEER _____

SUBMITTED DATE _____

REQUIRED PRODUCT _____

MODEL NO. _____ SIZE _____ QUANTITY _____

MODEL NO. _____ SIZE _____ QUANTITY _____

MODEL NO. _____ SIZE _____ QUANTITY _____

MODEL NO. _____ SIZE _____ QUANTITY _____

REQUIRED DATE _____

In accordance with our company policy of on-going product improvement, Giant Factories Inc. reserves the right to make changes without prior notice.

giantinc.com



40 Lesage Avenue, Montréal-East (Québec) Canada H1B 5H3 • Telephone: (514) 645-8893 • Fax: (514) 640-0969