



Enhancing everyday living



US
LOW LEAD
CONTENT



ENGINEERING SUBMITTAL DATA SHEET

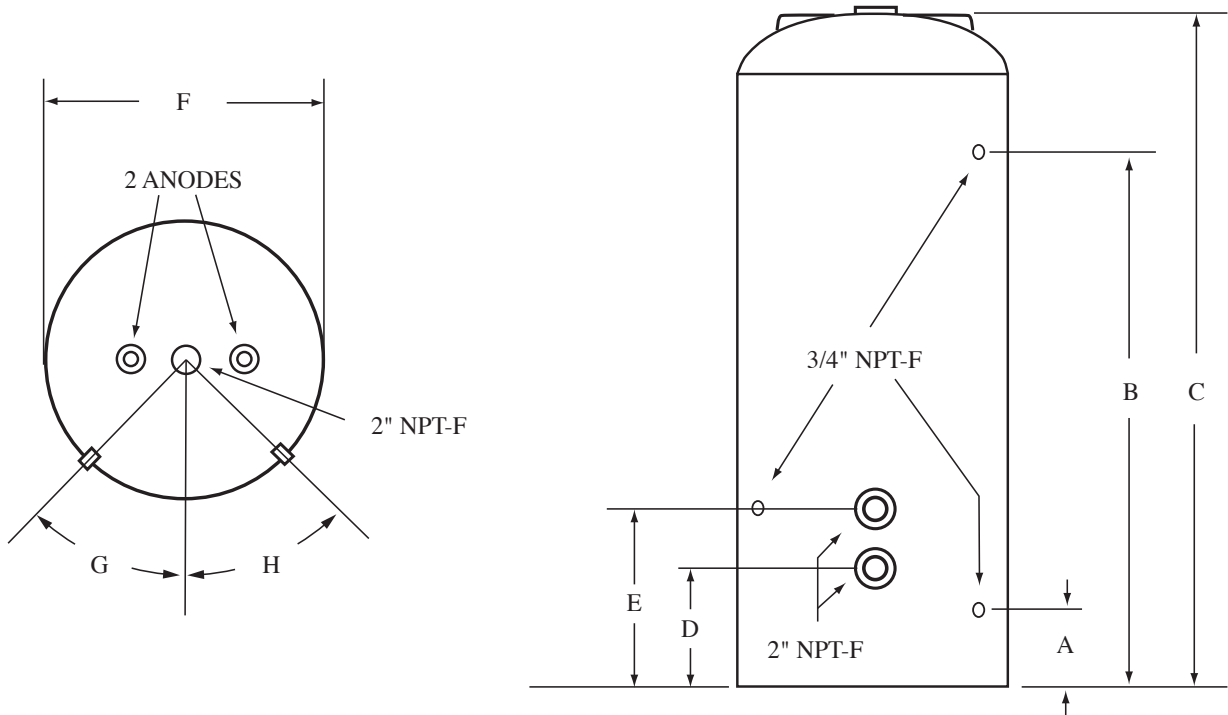
Commercial storage tank

1101 MODEL, not insulated

100 imperial gallons / 455 litres

This model meets all safety and construction requirements of UL Standard 1453.

Model	Storage Capacity			A	B	C	D	E	F	G	H	Est. Ship. Weight lb (kg)
	gal (US)	Litres	gal (Imp)	inches (cm)	inches (cm)	inches (cm)	inches (cm)	inches (cm)	inches (cm)			
1101	120	455	100	3 5/8 (9)	57 7/8 (147)	65 1/2 (166)	6 1/2 (17)	10 1/2 (27)	24 (61)	47°	47°	370 (168)



JOB TITLE

ADDRESS

CONTRACTOR

ADDRESS

ENGINEER

SUBMITTED DATE

REQUIRED PRODUCT

MODEL NO. SIZE QUANTITY

MODEL NO. SIZE QUANTITY

MODEL NO. SIZE QUANTITY

MODEL NO. SIZE QUANTITY

REQUIRED DATE

In accordance with our company policy of on-going product improvement, Giant Factories Inc. reserves the right to make changes without prior notice.

giantinc.com



40 Lesage Avenue, Montréal-East (Québec) Canada H1B 5H3 • Telephone: (514) 645-8893 • Fax: (514) 640-0969