



POWER VENT

40 U.S. gallons

UG40-40LFPV2-N2U
UG40-38LFPV2-P2U

50 U.S. gallons

UG50-40LFPV2-N2U
UG50-38LFPV2-P2U

60 U.S. gallons

UG60-40MFPV2-N2U
UG60-38MFPV2-P2U

I.D.	Part #	Description	Use with models
1	56000160-A	Gas control assembly	All
1a	56000162-A	Gas control electronic module	All
1b	N/A	Gas control body	All
2	56001004-A	Flammable vapour sensor	All
3	14000006-A	Protective cover	All
4	58000157-A	Ignitor assembly	All
5	06100820-A 06101237-A 06101522-A	Burner assembly	UG40-40LFPV2-N2U UG50-40LFPV2-N2U UG60-40MFPV2-N2U
6	KITPV001 KITPV002	Inner access door kit	UG40 UG50, UG60
7	99000155-A	Outer access door	All
8	56001001-A	Resettable high limit switch (270°F)	All
9	15000028-A	Brass drain valve	All
10	19000005-A 19000007-A	Overflow tube (not included)	UG40, UG50 UG60
11	22000417-A 22000418-A 22000415-A	Closed end dip tube with heat trap	UG40 UG50 UG60
12	MS145320 MS145410	Magnesium anode	UG40, UG50 UG60
13	SV0Z4220	Temperature and pressure relief valve	All
14	99000066-A 99000063-A	Flue baffle	UG40, UG50 UG60
15	60000010-A 60000011-A 60000014-A	Vacuum switch (-0.50" w.c.) Vacuum switch (-0.55" w.c.) Vacuum switch (-0.65" w.c.)	UG40 UG50 UG60
16	56001011-A	High limit switch (155°F)	All
17	84000017-A	Rubber transition fitting (2")	All
18	06801501/A-A 06801502-A 80000012-A	Blower assembly	UG40 UG50 UG60
19	16001111-A 16001110-A	Outlet nipple with heat trap	UG40 UG50, UG60
20	14010001-A 14010004-A	Black restrictor screen (2") - PVC/CPVC Grey restrictor screen (2") - PP	(Ventilation length 0-30pi) (Ventilation length 0-30pi)

N=Natural gas P=Propane

RESIDENTIAL GAS-FIRED



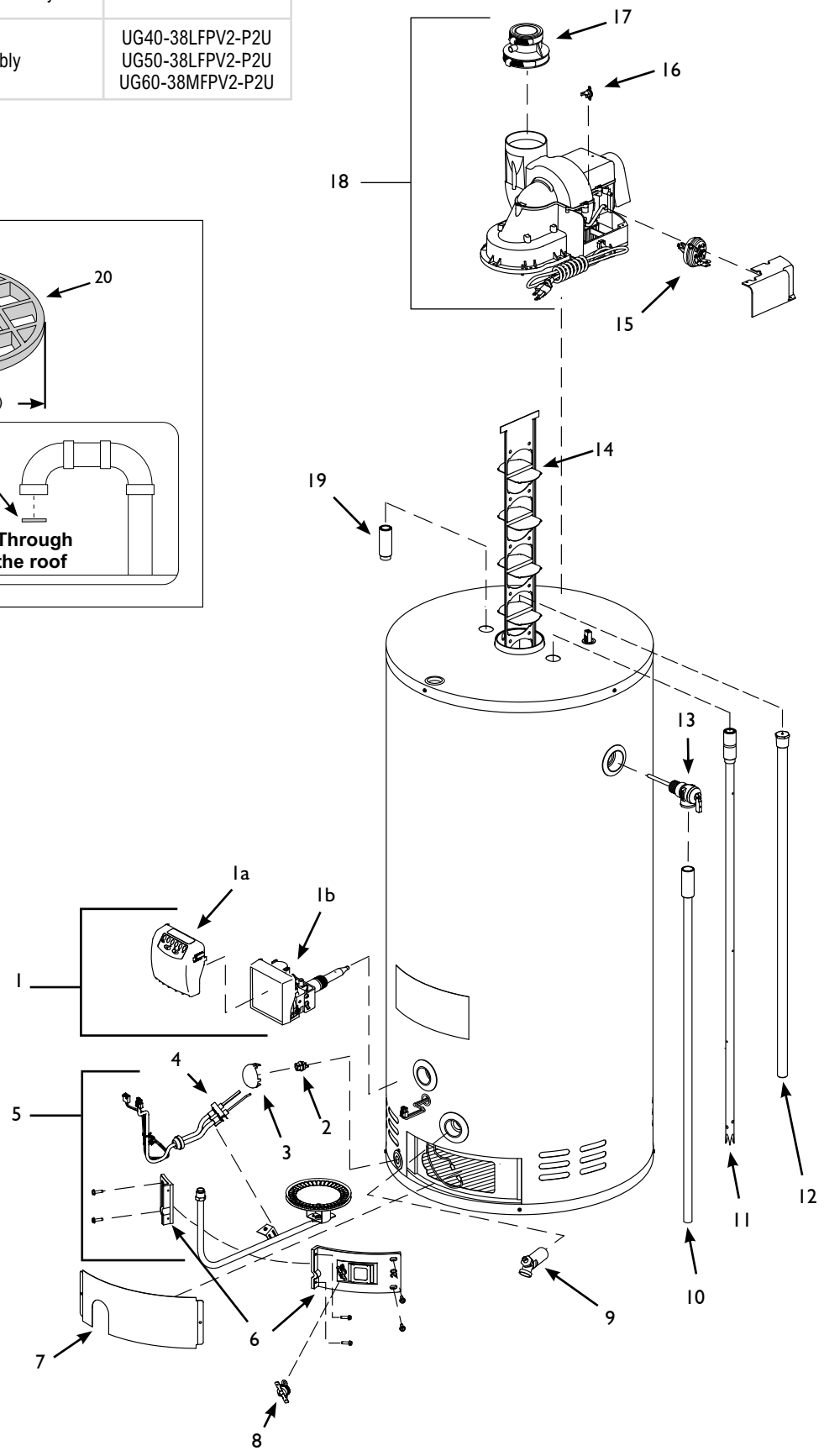
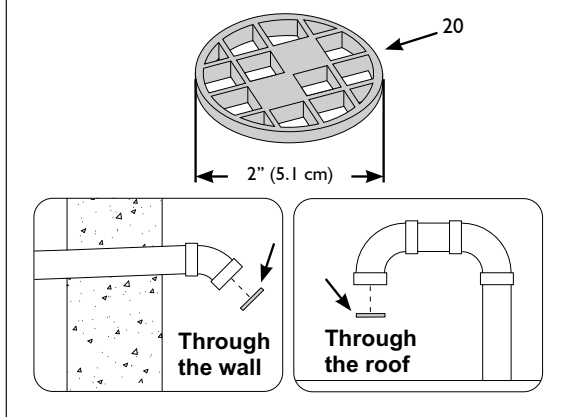
March 2021

For PROPANE models, substitute the following:

I.D.	Part #	Description	Use with models
1	56000161-A	Gas control assembly	All
5	06100821-A 06101238-A 06101523-A	Burner assembly	UG40-38LFPV2-P2U UG50-38LFPV2-P2U UG60-38MFPV2-P2U

All propane burner manifolds are LEFT HAND THREAD.

Restrictor screen (All N2U):



RESIDENTIAL GAS-FIRED

Giant

March 2021