



OIL-FIRED

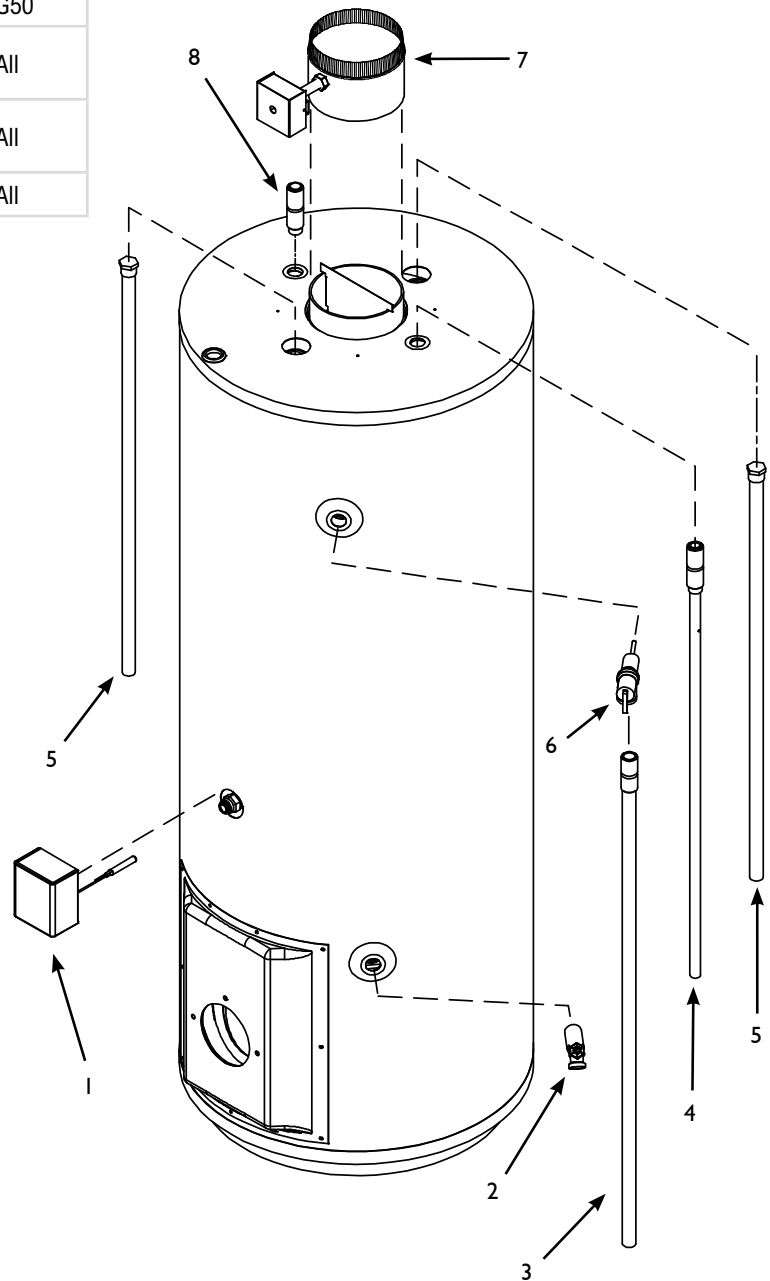
32 U.S. gallons

OG32

50 U.S. gallons

OG52

I.D.	Part #	Description	Use with models
1	56000117-A	Aquastat L4006G	All
2	15000028-A	Brass drain valve	All
3	19000007-A	Overflow tube	All
4	DT005280 DT005330	Dip tube	OG32 OG50
5	MS145280 MS145320	Magnesium anodes (2)	OG32 OG50
6	SV0Z4220	Temperature and pressure relief valve	All
7	95000000-A	Blocked vent shut-off switch assembly	All
8	NP022241	Outlet nipple	All



RESIDENTIAL OIL-FIRED

Giant