



DISCONTINUED MODELS

DIRECT VENT - Flexible venting

50 U.S. gallons

UG50-36TEDVF-N2U
UG50-36TFDVF-N2U
UG50-41TEDVF-N2U
UG50-41TFDVF-N2U

UG50-36TEDVF-P2U
UG50-36TFDVF-P2U
UG50-41TEDVF-P2U
UG50-41TFDVF-P2U

60 U.S. gallons

UG60-36MEDVF-N2U
UG60-36MFDVF-N2U
UG60-41MEDVF-N2U
UG60-41MFDVF-N2U

UG60-36MEDVF-P2U
UG60-36MFDVF-P2U
UG60-41MEDVF-P2U
UG60-41MFDVF-P2U

| I.D. | Part # | Description | Use with models |
|------|--|---------------------------------------|--|
| 1 | 56000145-A | Piezo ignitor | All |
| 2 | GCA32600 | Gas control | All |
| 3 | 57000016-A | Pilot/thermocouple assembly | All |
| 4 | 06001213-A 06001214-A 06001500-A 06001501-A | Burner assembly | UG50-36 UG50-41 UG60-36 UG60-41 |
| 5 | ADA05001 | Inner access door kit | All |
| 6 | ADA04002 | Outer access door | All |
| 7 | 15000028-A | Brass drain valve | All |
| 8 | 19000005-A 19000007-A | Overflow tube (not supplied) | UG50 UG60 |
| 9 | DT005330 | Dip tube | All |
| 10 | MS145410 | Magnesium anode | All |
| 11 | SV0Z4220 | Temperature and pressure relief valve | All |
| 12 | NP022241 | Outlet nipple | All |
| 13 | 06000045-A | Flue baffle | All |
| 14 | 99000500-A | Flue reducer | All |
| 15 | VKGF0000 | Complete vent kit | All |
| 16 | 96000017-A | Flexible vent pipe | All |
| 17 | 96000016-A | Wind-tamer [®] vent cap | All |

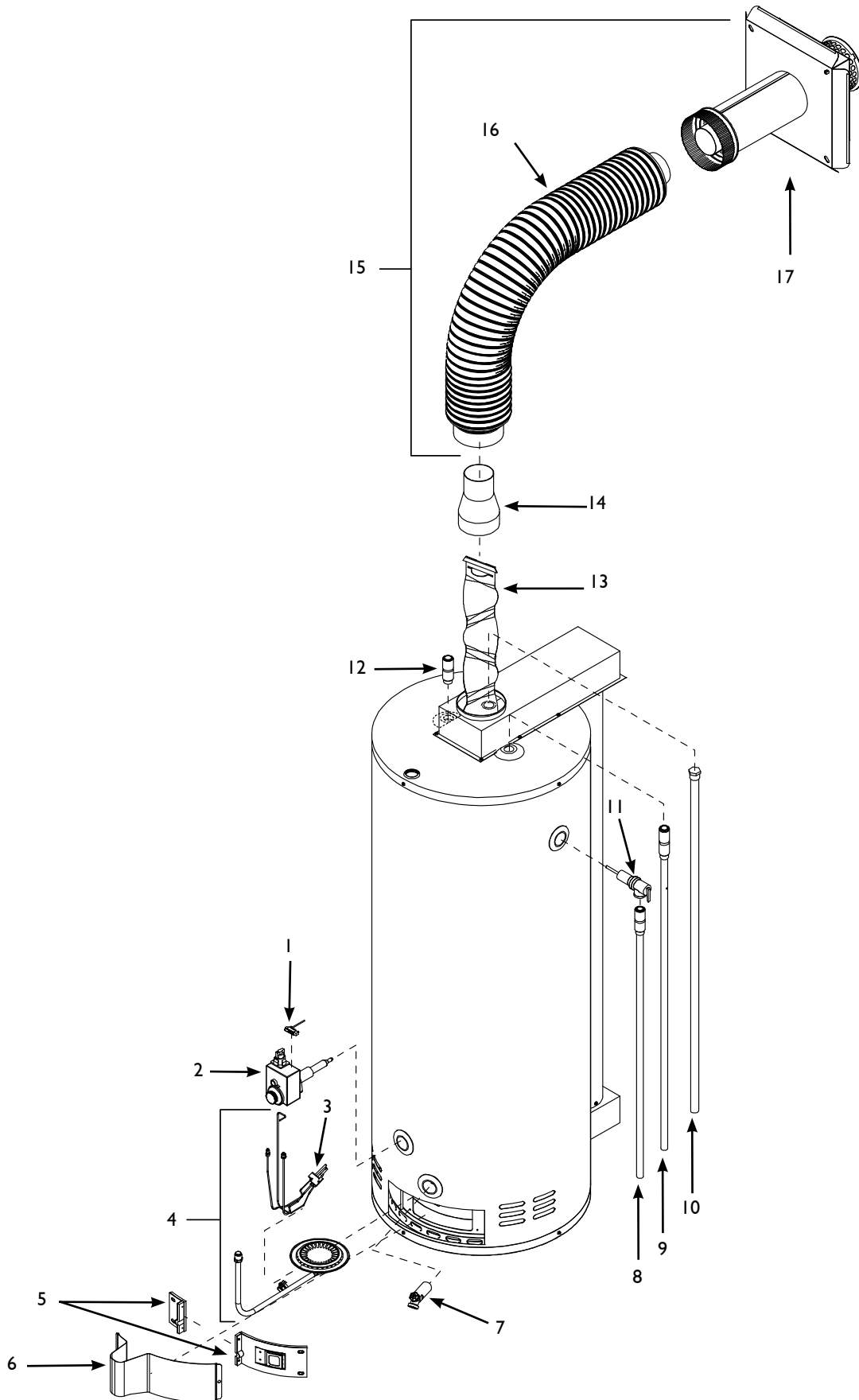
N=Natural gas P=Propane

For PROPANE models, substitute the following:

| I.D. | Part # | Description | Use with models |
|------|--|-----------------------------|--|
| 2 | 56000125-A | Gas control | All |
| 3 | 57000017-A | Pilot/thermocouple assembly | All |
| 4 | 06001215-A 06001216-A 06001504-A 06001505-A | Burner assembly | UG50-36 UG50-41 UG60-36 UG60-41 |

All propane burner manifolds are LEFT HAND THREAD.

DISCONTINUED MODELS



RESIDENTIAL GAS-FIRED

Giant