



**DISCONTINUED MODELS**

## DIRECT VENT - Rigid venting

### 50 U.S. gallons

- UG50-36LEDV-N2U
- UG50-41LEDV-N2U
- UG50-36LEDV-P2U
- UG50-41LEDV-P2U

### 60 U.S. gallons

- UG60-36MEDV-N2U
- UG60-41MEDV-N2U
- UG60-36MEDV-P2U
- UG60-41MEDV-P2U

I.D.	Part #	Description	Use with models
1	56 000145-A	Piezo ignitor	All
2	GCA32600	Gas control	All
3	57000016-A	Pilot/thermocouple assembly	All
4	06001202-A 06001211-A	Burner assembly	UG50-36, UG60-36 UG50-41, UG60-41
5	ADA05001	Inner access door	All
6	ADA04002	Outer access door	All
7	15000028-A	Brass drain valve	All
8	19000005-A 19000007-A	Overflow tube	UG50 UG60
9	DT005330	Dip tube	UG50, UG60
10	MS145320 MS145410	Magnesium anode	UG50 UG60
11	SV0Z4220	Temperature and pressure relief valve	All
12	NP022241	Outlet nipple	All
13	06000032-A	Flue baffle	All
14	99000500-A	Flue reducer	All
15	VK2G7510	Complete vent kit	All
16	IE5G7980	Inner elbow	All
17	OE5G9980	Outer elbow	All
18	SK2G7510	Coaxial short vent kit	All
19	LK2G7510	Coaxial long vent kit	All
20	VC2G7510	Wind-tamer® vent cap	All

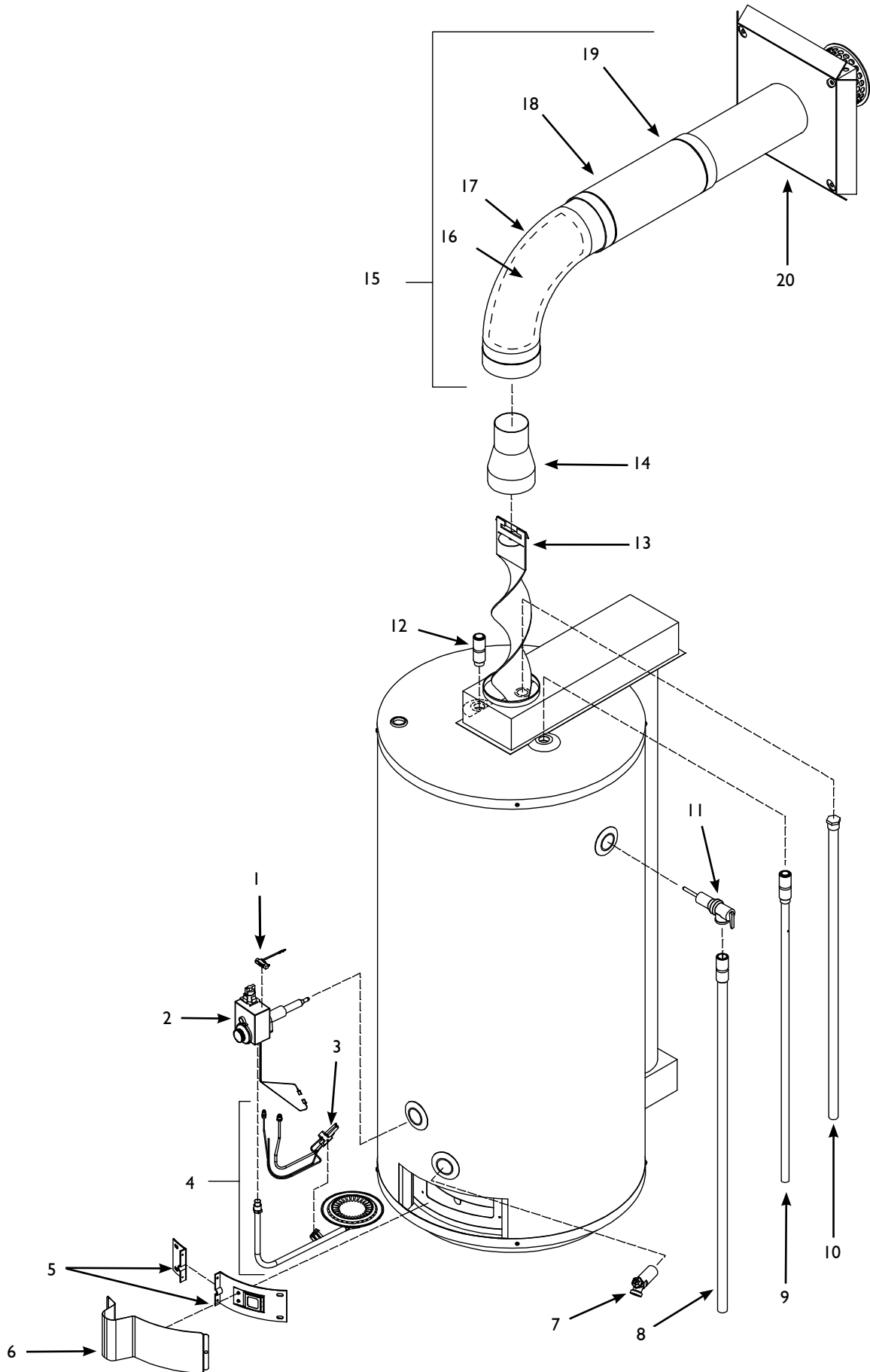
N=Natural gas P=Propane

**For PROPANE models, substitute the following:**

I.D.	Part #	Description	Use with models
2	56000125-A	Gas control	All
3	57000017-A	Pilot/thermocouple assembly	All
4	06001203-A 06001212-A	Burner assembly	UG50-36, UG60-36 UG50-41, UG60-41

All propane burner manifolds are LEFT HAND THREAD.

DISCONTINUED MODELS



RESIDENTIAL GAS-FIRED

Giant