



# ATMOSPHERIC VENT

## 30 U.S. gallons

UG30-32MFI-N2U  
UG30-30MFI-P2U  
UG30-32MFI-C2U

## 40 U.S. gallons

UG40-38LFI-N2U  
UG40-38LFI-P2U  
UG40-38LFI-C2U

## 50 U.S. gallons

UG50-38LF-N2U  
UG50-40LF-N2U  
UG50-36LF-P2U  
UG50-38LF-C2U

## 60 U.S. gallons

UG60-45MFI-N2U  
UG60-50MFI-N2U  
UG60-47MFI-P2U  
UG60-42MFI-P2U  
UG60-45MFI-C2U

I.D.	Part #	Description	Use with models
1	56000145-A 58000003-A	Piezo ignitor (Before November 2013) Piezo ignitor (After November 2013)	All All
2	56000090-A 56000095-A	Gas control	UG30, UG40, UG50 UG60
3	57000016-A	Pilot/thermocouple assembly	All
4	06060001-A 06060006-A BRA05001 06001206-A 06001528-A 06001530-A	Burner assembly	UG30 UG40 UG50-40 UG50-38 UG60-50MFI-N2U UG60-45MFI-N2U
5	N/A	Manifold spring	On some models
6	ADA03001 ADA05001	Inner access door kit	UG30, UG40 UG50, UG60
7	ADA04002	Outer access door kit	All
8	56001001-A 56001006-A 56001000-A 56001005-A 56001003-A	High limit switch (270°F) High limit switch (250°F) High limit switch (240°F) High limit switch (230°F) High limit switch (210°F)	UG30 UG40 UG50 UG60-50MFI-N2U UG60-45MFI-N2U
9	15000028-A	Brass drain valve	All
10	19000002-A 19000005-A 19000007-A	Overflow tube (not included)	UG30 UG40, UG50 UG60
11	22010000-A 22000418-A 22001490-A	Dip tube with heat trap	UG30, UG40 UG50 UG60
12	MS145320 MS145410	Magnesium anode	UG30, UG40, UG50 UG60
13	SV0Z4220	Temperature and pressure relief valve	All
14	06110000-A 06000039-A 06000046-A	Flue baffle Power Twist™ flue baffle Power Twist™ flue baffle	UG30, UG40 UG50 UG60
15	97330000-A 97330001-A 99000501-A	Flue reducer	UG30 UG40 UG50, UG60
16	DH9A3500 DH6A3500	Draft hood	UG30, UG40 UG50, UG60
17	16001111-A 16001150-A	Outlet nipple with heat trap	UG30, UG40, UG50 UG60

N=Natural gas P=Propane

RESIDENTIAL GAS-FIRED



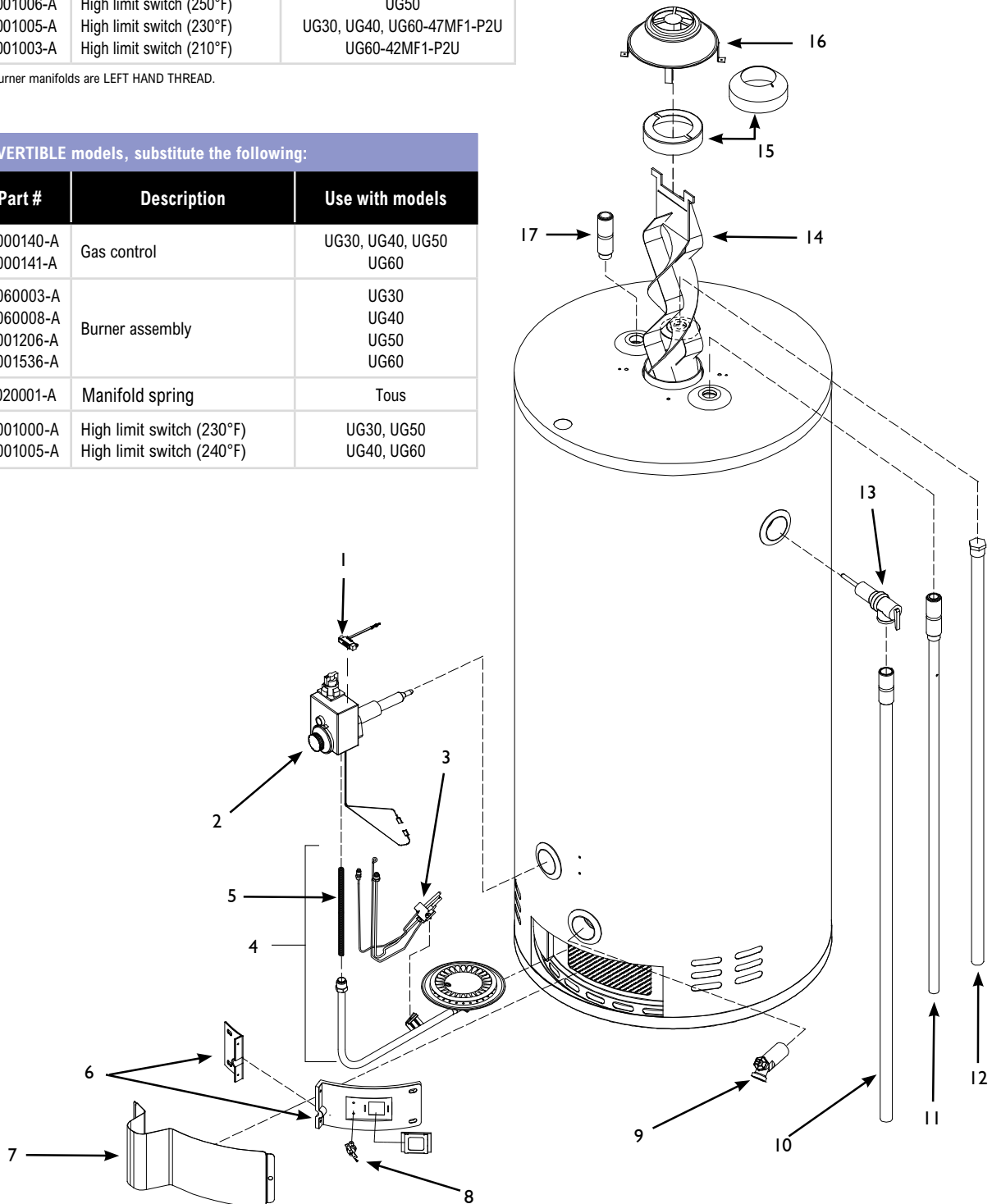
For PROPANE models, substitute the following:

I.D.	Part #	Description	Use with models
2	56000091-A 56000096-A	Gas control	UG30, UG40, UG50 UG60
3	57000017-A	Pilot/thermocouple assembly	Tous
4	06060002-A 06060007-A 06001205 06001529-A 06001531-A	Burner assembly	UG30 UG40 UG50 UG60-47MF1-P2U UG60-42MF1-P2U
5	69020001-A	Manifold spring	All
8	56001006-A 56001005-A 56001003-A	High limit switch (250°F) High limit switch (230°F) High limit switch (210°F)	UG50 UG30, UG40, UG60-47MF1-P2U UG60-42MF1-P2U

All propane burner manifolds are LEFT HAND THREAD.

For CONVERTIBLE models, substitute the following:

I.D.	Part #	Description	Use with models
2	56000140-A 56000141-A	Gas control	UG30, UG40, UG50 UG60
4	06060003-A 06060008-A 06001206-A 06001536-A	Burner assembly	UG30 UG40 UG50 UG60
5	69020001-A	Manifold spring	Tous
8	56001000-A 56001005-A	High limit switch (230°F) High limit switch (240°F)	UG30, UG50 UG40, UG60



RESIDENTIAL GAS-FIRED

Giant