



RESIDENTIAL GAS-FIRED



**DISCONTINUED MODELS**

# ATMOSPHERIC VENT

### 30 U.S. gallons

UG30-30MF-N2U  
UG30-27MF-P2U

### 40 U.S. gallons

UG40-34LF-N1U  
UG40-36LF-N2U  
UG40-40LF-N2U  
UG40-36LF-P2U

### 50 U.S. gallons

UG50-40LF-N1U  
UG50-38LF-P2U

### 60 U.S. gallons

UG60-47MF-N2U  
UG60-52MF-N2U

I.D.	Part #	Description	Use with models
1	56000145-A 58000003-A	Piezo ignitor (Before November 2013) Piezo ignitor (After November 2013)	All
2	56000090-A 56000095-A	Gas control	UG30, UG40, UG50 UG60
3	56000068-A	Pilot/thermocouple assembly	All
4	BRA03001 BRA04001 BRA04002 BRA05001	Burner assembly	UG30-30 UG40-36 UG40-40 UG50-40
5	ADA03001 ADA05001	Inner access door kit	UG30, UG40 UG50, UG60
6	ADA04002	Outdoor access door	All
7	56001002-A 56001000-A 56001001-A	High limit switch (220°F) High limit switch (240°F) High limit switch (270°F)	UG40-36 UG30, UG50 UG40-40, UG60-52
8	15000028-A	Brass drain valve	All
9	19000002-A 19000005-A 19000006-A	Overflow tube	UG30 UG40, UG50 UG60
10	DT005280 22000407-A 22000417-A 22000408-A 22000418-A 22000405-A	Dip tube Dip tube Dip tube with heat trap Dip tube Dip tube with heat trap Dip tube	UG30 UG40 UG40-N2U UG50 UG50-N2U UG60
11	MS145280 MS145320 MS145410	Magnesium anode	UG30 UG40, UG50 UG60
12	18G0022 SV0Z4220	Temperature and pressure relief valve	All (N1U) All (N2U)
13	SBA03001 06000039-A 06000041-A	Flue baffle Power Twist™ flue baffle Power Twist™ flue baffle	UG30 UG40 (N2U), UG50, UG60 UG40 (N1U)
14	99000501-A 99000502-A	Flue reducer	UG40, UG50 UG60
15	DH9A3500 DH6A3500	Draft hood	UG30, UG40 UG50, UG60
16	NP022241 16001111-A	Outlet nipple Outlet nipple with heat trap	All N1U, UG60 All N2U (except UG60)

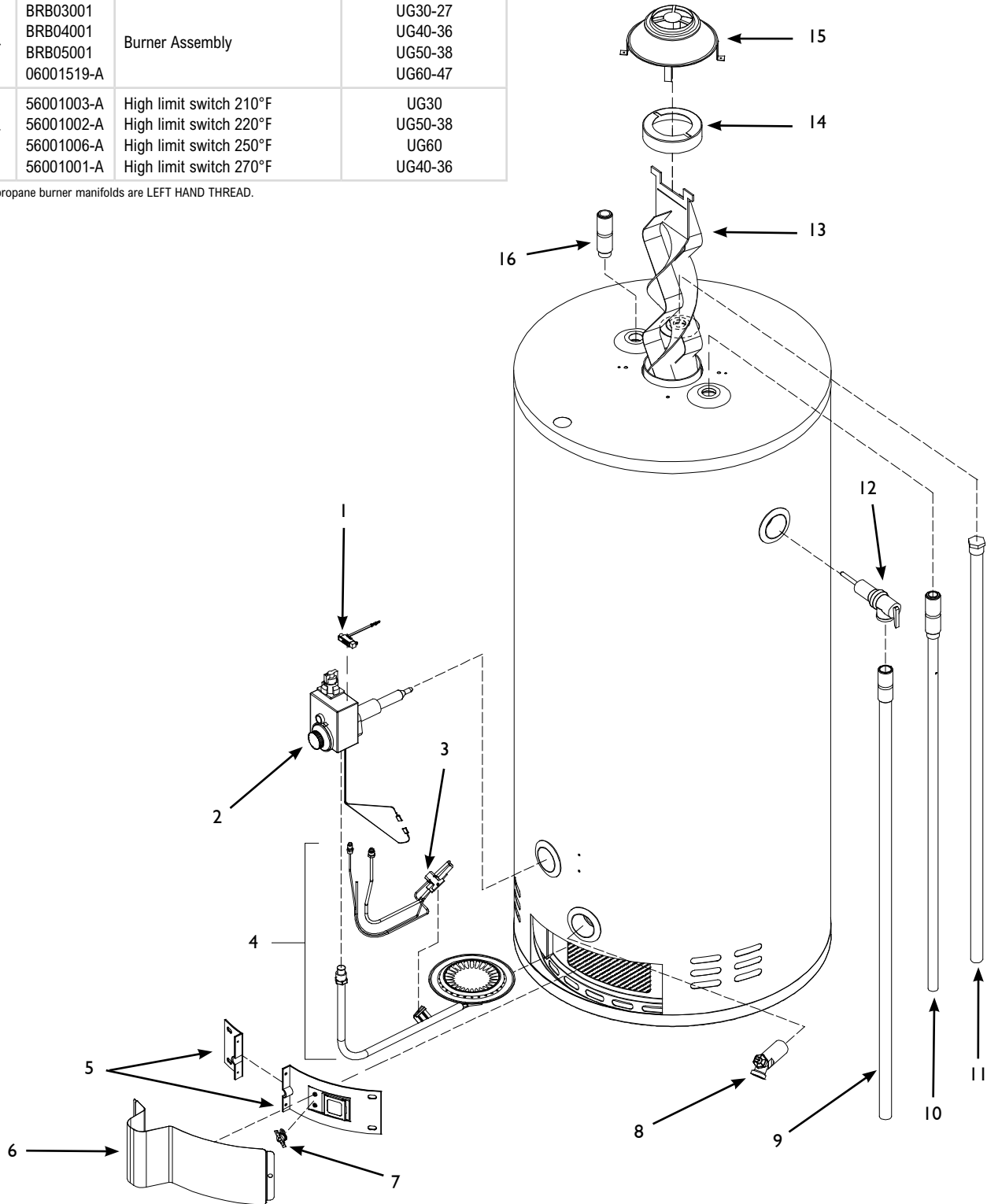
N=Natural gas P=Propane

# DISCONTINUED MODELS

For PROPANE models, substitute the following:

I.D.	Part #	Description	Use with models
2	56000091-A 56000096-A	Gas control	UG30, UG40, UG50 UG60
3	56000069-A	Pilot/thermocouple assembly	All
4	BRB03001 BRB04001 BRB05001 06001519-A	Burner Assembly	UG30-27 UG40-36 UG50-38 UG60-47
7	56001003-A 56001002-A 56001006-A 56001001-A	High limit switch 210°F High limit switch 220°F High limit switch 250°F High limit switch 270°F	UG30 UG50-38 UG60 UG40-36

All propane burner manifolds are LEFT HAND THREAD.



RESIDENTIAL GAS-FIRED

Giant