



CASCADE & SUPER CASCADE | Bottom entry



40 Imp. gallons

I52B-1F7M I52E-1F8M
 I52B-2F7M I52E-2F8M
 I52B-3F7M I52E-3F8M

60 Imp. gallons

I72B-1F7M I72E-2F8M
 I72B-2F7M I72E-3F8M
 I72B-3F7M

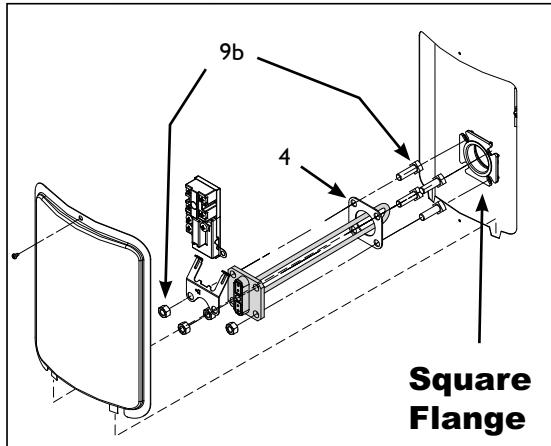
I.D.	Part #	Description	Use with models
1	TH3ZX006	Thermostat and high limit assembly	All
1a	TH3ZX001	High limit with manual reset	All
1b	TH3ZX002	Upper thermostat	All
2	99001204-A	Twist-Lock flanges	All
3	18G0002	Square flange gaskets	All
4*	10G30/80 10G45/80	Upper square flange element (240V)	152 172
5	15000028-A 18G0020	Brass drain valve Plastic drain valve	All E (except 172E-3F7M, 152E-3F7M) All B, 172E-3F7M and 152E-3F7M
6	TH3ZX004	Lower thermostat	All
7	18G0001	Thermostat brackets	All
8	4500026-A	Hexagonal head screw	All
9	99000060-A 99000061-A	Element and thermostat access doors (before November 2012) Element and thermostat access doors	All -3F5, -3F6 All -3F7, -3F8
10*	10G30/40 10G30/80 10G45/40 10G45/80	Lower square flange element (240V)	152B,152E (except 152E-3F7M) 152E-3F7M 172B,172E (except 172E-3F7M) 172E-3F7M
11	16000011-A	Inlet nipple	All
12	MS145410 MS145510 MS155410 MS155520	Magnesium anode	152B, 152E-3F7M 172B, 172E-3F7M 152E-3F8M 172E-3F8M
13	NP022302 16001110-A 16001111-A	Outlet nipple Outlet nipple with heat trap Outlet nipple with heat trap	All 152B-HT,152E-HT 172B-HT, 172E-HT
14	18G0022	Temperature et pression relief valve	All
15	19000009-A	Overflow tube with (90°) elbow	152B, 172B, All 3F7M
16	19000010-A 19000011-A	Overflow tube kit (42") Overflow tube kit (54")	152E-3F8M 172E-3F8M

* For 208V element, change 04Gxx /80 for 3AGxx /80

* For 120V element, change 04Gxx /80 for 03G15 /80



For models produced prior to November 22nd, 2012



4	18G0002	Square Flange gaskets
9b	18G0013	Machine bolt & hex-head nuts

