



**DISCONTINUED MODELS**

**Standard Model**

**STANDARD | Top entry**

**30 Imp. gallons**

- I42ETE-1F7M
- I42ETE-2F7M
- I42ETE-3F7M

**40 Imp. gallons**

- I52ETE-1F7M
- I52ETE-2F7M
- I52ETE-3F7M
- I52ETE-3F7M-AA

**60 Imp. gallons**

- I72ETE-1F7M
- I72ETE-2F7M
- I72ETE-3F7M

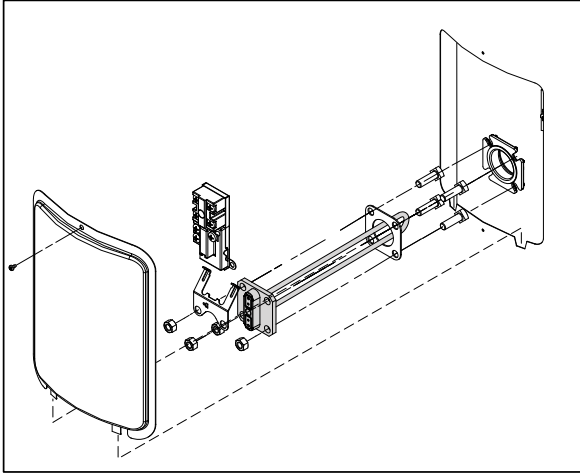
I.D.	Part #	Description	Use with models
1	TH3ZX006	Thermostat and high limit assembly	All
1a	TH3ZX001	High limit with manual reset	All
1b	TH3ZX002	Upper thermostat	All
2	99001204-A	Twist-Lock flanges	All
3	18G0002	Square flange gaskets	All
4*	10G30/120 10G45/120	Upper square flange element (240V)	142,152 172
5	18G0020	Plastic drain valve	All
6	TH3ZX004	Lower thermostat	All
7	18G0001	Thermostat brackets	All
8	4500026-A	Hexagonal head screw	All
9	99000060-A 99000061-A	Element and thermostat access doors	All -3F5, -3F6 All -3F7
10*	10G30/120 10G45/120	Lower square flange element (240V)	142,152 172
11	DT005280 22002281-A DT005410 22001525-A	Dip tube Dip tube with heat trap (since March 2011) Dip tube Dip tube	142 142 152 172
12	MS145280 MS145410 MS145510	Magnesium anode	142 152 172
13	NP022241 16000015-A	Outlet nipple Di-electric nipple 3/4" X 3 1/2"	142,152 172
14	18G0022 SV0Z4220	Temperature and pressure relief valve	142,152 172
15	19000009-A	Overflow tube with (90°) elbow	All

\* For 208V element, change 10Gxx /80 for 9AGxx /80

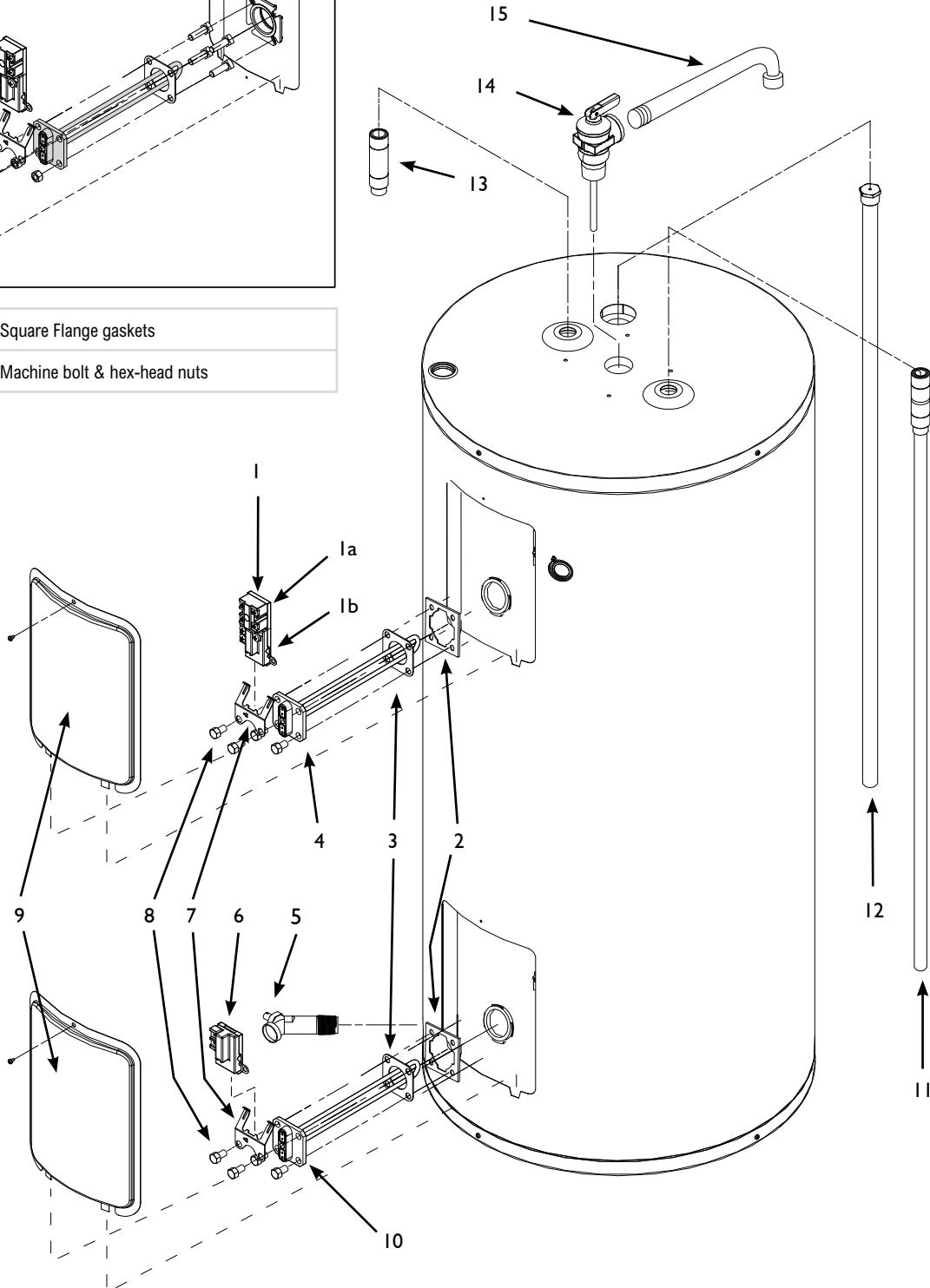
\* For 120V element, change 10Gxx /80 for 09G15 /80

**DISCONTINUED MODELS**

For models produced prior to November 22<sup>nd</sup>, 2012



4	18G0002	Square Flange gaskets
9b	18G0013	Machine bolt & hex-head nuts



**RESIDENTIAL ELECTRIC**

**Giant**