



FLEXIBLE - Light, medium and heavy duty

600 Volts - I12 model with 3, 6 or 9 elements

I.D.	Part #	Description	Use with models
1	87000012-A	Snap-in plug	All
2	MS166530	Magnesium anodes (2)	112
3	16001402-A	Di-electric nipple 1 1/2" X 4"	All
4	34001005-A	Fuse Holder (2P)	All
5	34000003-A	Fuses (3 amps Class G)	All
6	TB587000	Terminal block three phases	All
7	43000004-A	Contactors HCC-3XU02CY	All
8	GA1N1110	Clean-out gasket	All
9	25004111-A	Clean-out cover	All
10	99000061-A	Jacket door	All
11	DV3Z0070	Brass drain valve	All
12	16001402-A	Di-electric nipple 1 1/2" X 4"	All
13	56000018-A	Lower thermostat	All except 1123
14	56000018-A	Middle thermostat	1129 only
15	18G0001	Thermostat bracket	All
16	56000016-A	Combination thermostat / high limit	1126, 1129 top 1123 bottom
17	SEE ELEMENT TABLE BELOW		
18	18G0002	Square flange element gasket	All
19	990012040-A	Twist-Lock flange	All
20	TF485000	Transformer 600/240V	All
21	17000014-A	Temperature and pressure relief valve	All except 63kW
22	16000015-A	Di-electric nipple 3/4" X 3 1/2"	
23	17000017-A	Temperature and pressure relief valve	63kW only
24	90000006-A	Brass tee fitting 1 1/2" X 1 1/2" X 1"	

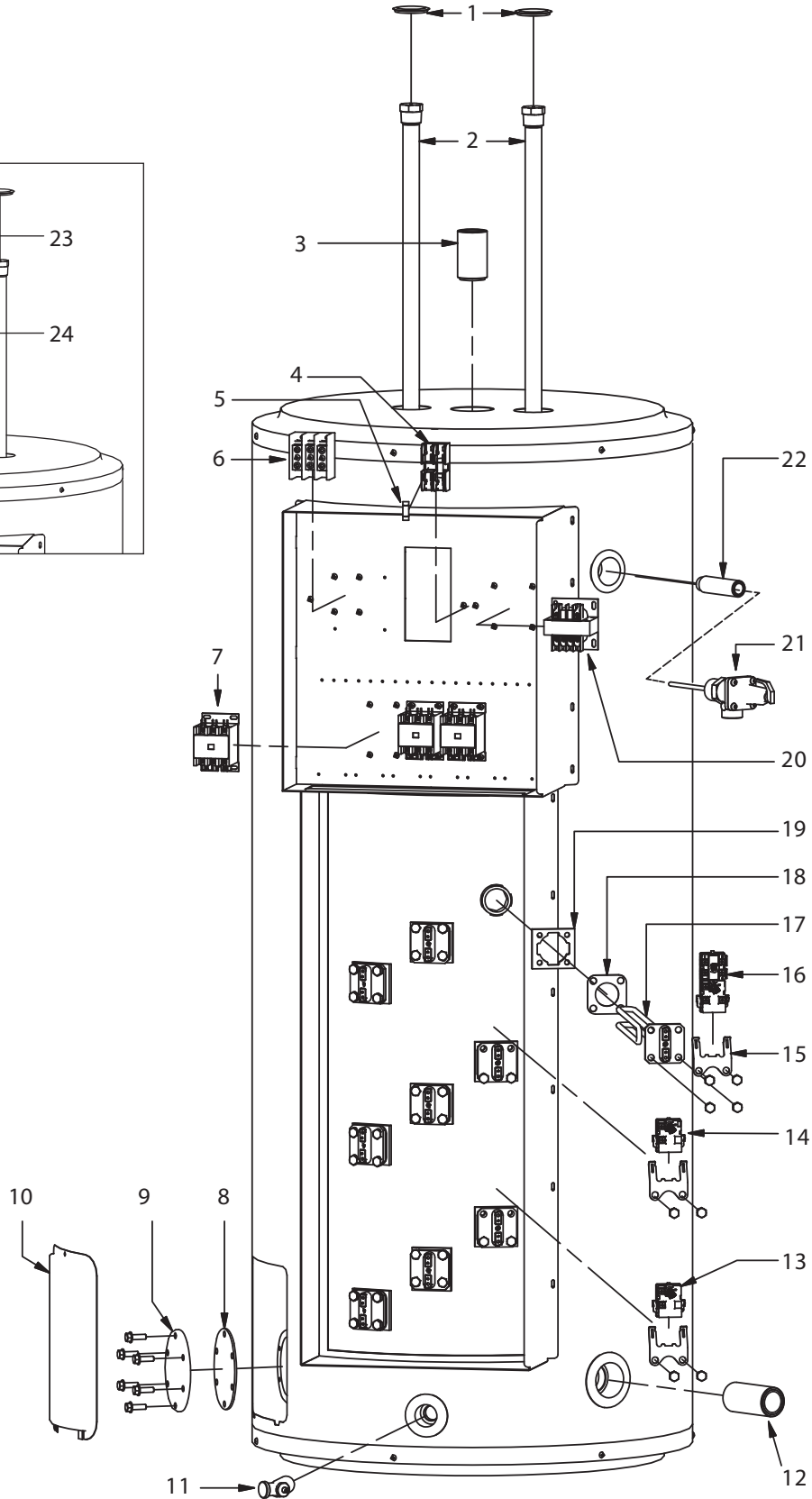
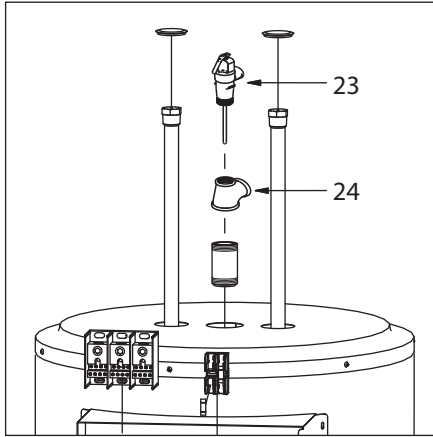
SQUARE FLANGE ELEMENTS

Part #	Watts	Volts
12G20/80	2,000 W	347V
12G30/80	3,000 W	
12G40/80	4,000 W	
12G45/80	4,500 W	
12G50/90	5,000 W	
12G60/100	6,000 W	
12G70/80	7,000 W	



Illustration shows 112 model with 9 elements.

For 600V/63kW model only



COMMERCIAL ELECTRIC

Giant

July 2021