

POINT-OF-USE

5 Imp. gallons

106SEO-1R5M
106SEO-3R5M

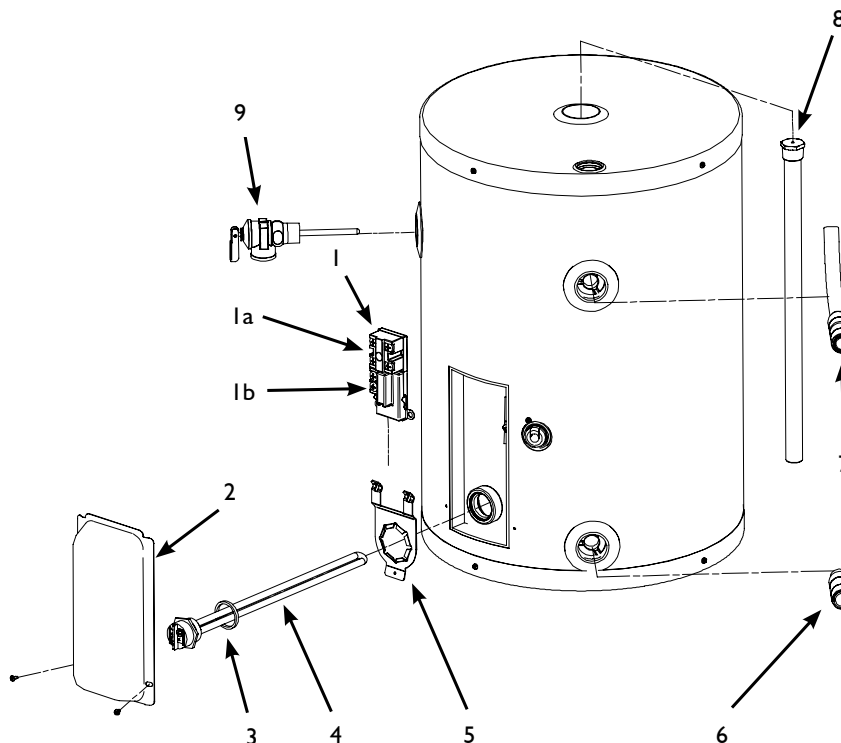
10 Imp. gallons

112SEO-1R5M
112SEO-3R5M

16 Imp. gallons

119SEO-1R5M
119SEO-3R5M

I.D.	Part #	Description	Use with models
1	TH30X006	Thermostat and high limit assembly	All
1a	TH3ZX001	High limit with manuel reset	All
1b	TH3ZX004	Thermostat	All
2	99000160-A	Element and thermostat access cover	All
3	18G0005	Screw-in element gasket	All
4	03G15/80 03G15/80-1 04G30/80	Screw-in element (120V) Screw-in element (120V) Screw-in element (240V)	All except 106SEO 106SEO All 240V (-3R5M)
5	18G0011	Thermostat bracket for screw-in element	All
6	NP022241	Inlet nipple	All
7	22000110-A	Outlet nipple with tube	All
8	20000100-A 20000170-A	Magnesium anode	106 112, 119
9	18G0022	Temperature and pressure relief valve	All



RESIDENTIAL ELECTRIC

Giant