



FLEXIBLE - Light, medium and heavy duty

600 Volts - 105 & 108 model with 3, 6 or 9 elements

COMMERCIAL ELECTRIC

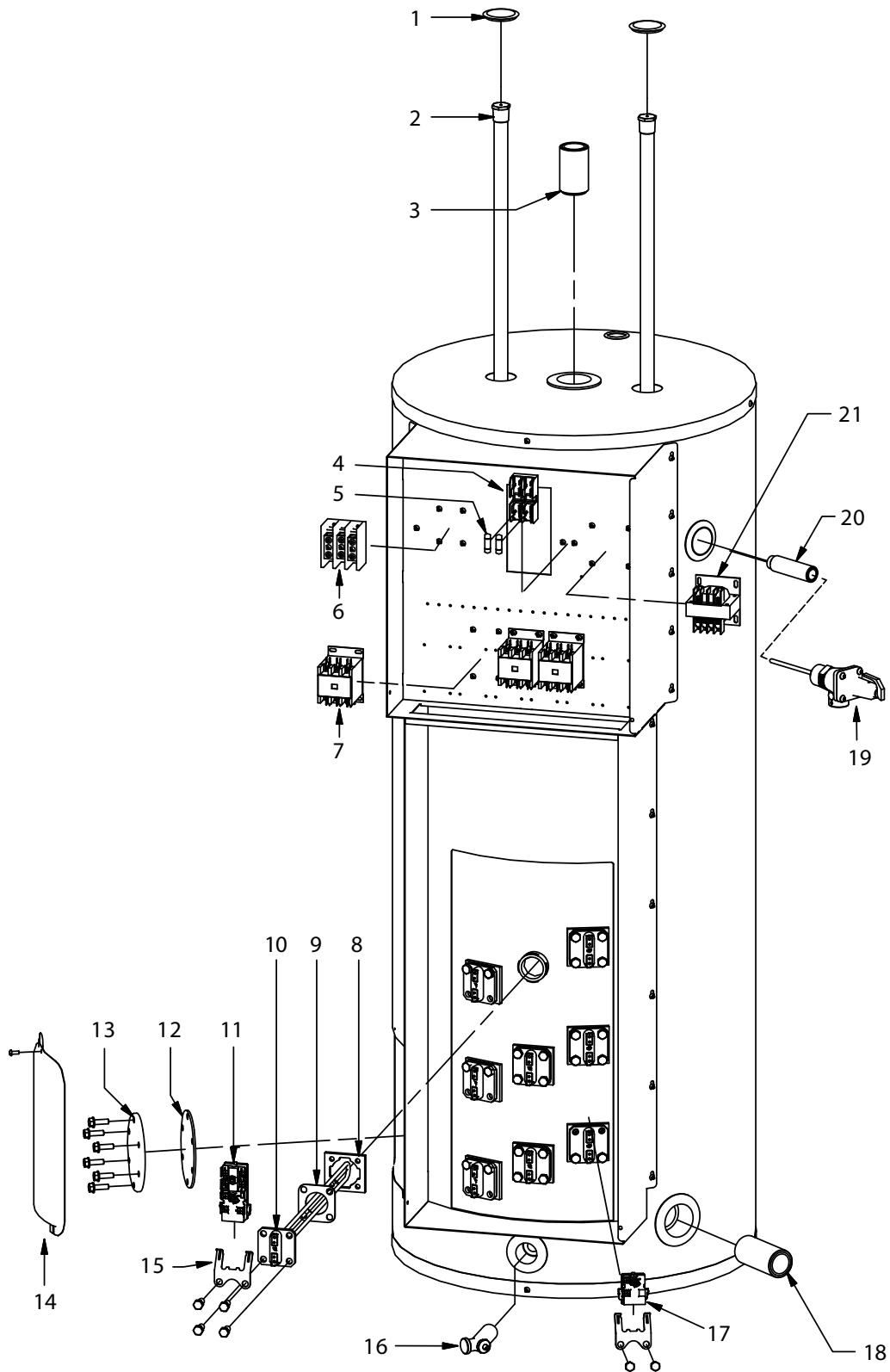
Giant

I.D.	Part #	Description	Use with models
1	87000014-A	Snap-in plug	All
2	MS155410 MS155520	Magnesium anodes	105 108
3	16000008-A	Outlet nipple 1 1/2" X 3"	All
4	34001005-A	Fuse Holder (2P)	All
5	34000003-A	Fuses (3 amps Class G)	All
6	32000006-A	Terminal block three phases	All
7	CM586000	Contactors HCC-3XU02CY	All
8	99001204-A	Twist-lock flange with screws	All
9	18G0002	Square flange element gasket	All
10	SEE ELEMENT TABLE BELOW		
11	56000016-A	Combination thermostat / high limit	All except 1053,1083
	56000022-A	High limit	1053, 1083
12	GA1N1110	Clean-out gasket	All
13	25004111-A	Clean-out cover	All
14	99000061-A	Jacket door	All
15	18G0001	Thermostat bracket	All
16	DV3Z0070	Brass drain valve	All
17	56000018-A	Lower thermostat	1053, 1083
18	16001402-A	Inlet nipple 1 1/2" X 4"	All
19	SV0N3020	Temperature and pressure relief valve	All
20	16000015-A	Relief nipple 3/4" X 3 1/2"	All
21	TF485000	Transformer 600/240V	All

SQUARE FLANGE ELEMENTS

Part #	Watts	Volts
12G20/80	2,000 W	347V
12G30/80	3,000 W	
12G40/80	4,000 W	
12G45/80	4,500 W	
12G50/80	5,000 W	
12G60/80	6,000 W	

Illustration shows 108 model with 9 elements.



COMMERCIAL ELECTRIC

Giant