



FLEXIBLE - Light, medium and heavy duty

208, 240, 277 & 480 Volts - 105, 108 & 112 models with 2 or 4 elements

I.D.	Part #	Description	Use with models
1	87000014-A	Snap-in plug	All
2	MS155410 MS155520 MS166530	Magnesium anodes	105 108 112
3	16000008-A	Outlet nipple 1 1/2" X 3"	All
4	TB587001	Terminal block end	Single phase
5	99001204-A	Twist-lock flange with screws	All
6	18G0002	Square flange element gasket	All
7	SEE ELEMENT TABLE BELOW		
8	56000016-A	Combination thermostat / high limit	All
9	18G0001	Thermostat bracket	All
10	99000061-A	Jacket door	All
11	25004111-A	Clean-out cover	All
12	GA1N1110	Clean-out gasket	All
13	DV3Z0070	Brass drain valve	All
14	16001402-A	Inlet nipple 1 1/2" X 4"	All
15	56000018-A	Lower thermostat	All
16	SV0N3020	Temperature and pressure relief valve	All
17	16000015-A	Relief nipple 3/4" X 3 1/2"	All

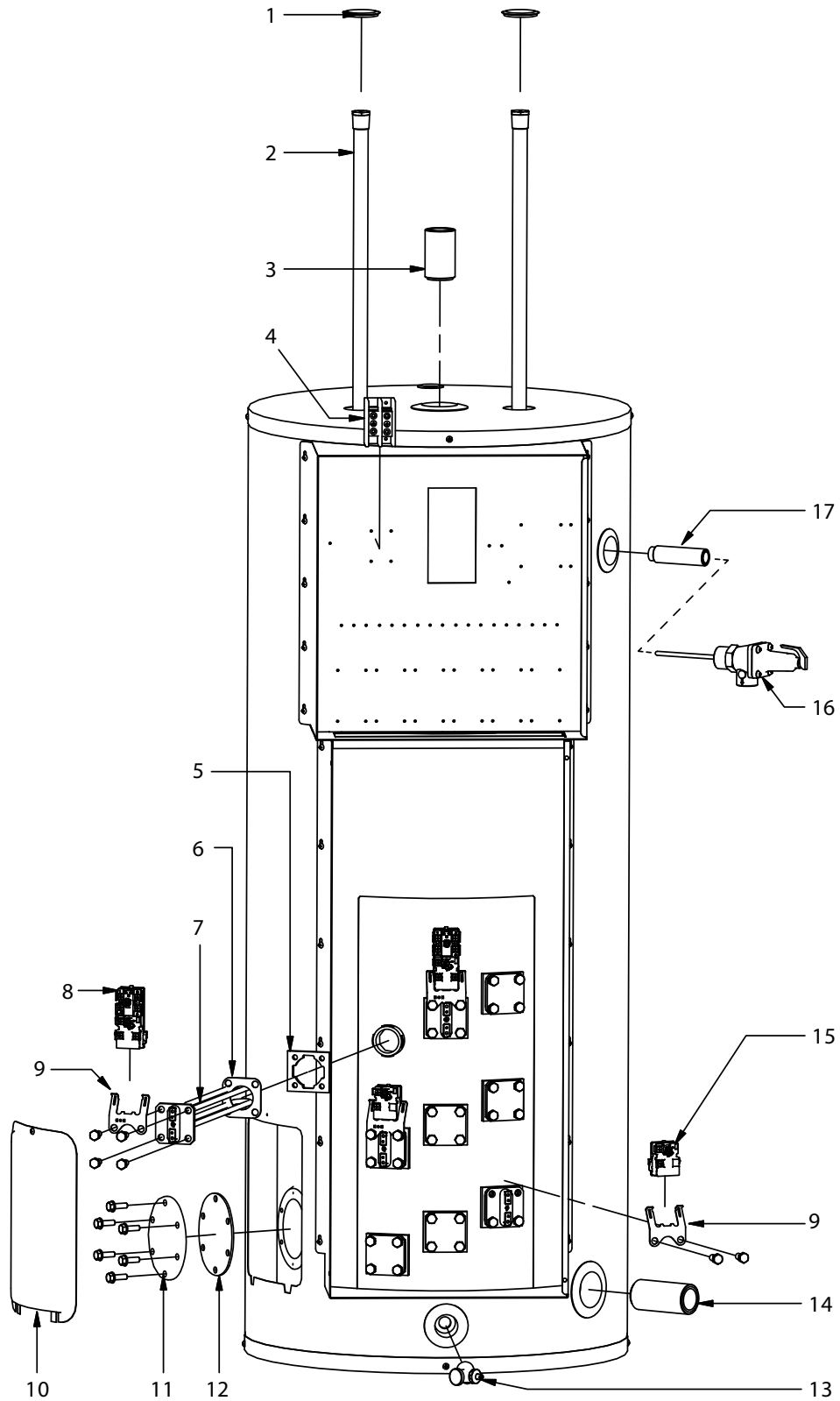
SQUARE FLANGE ELEMENTS

Part #	Watts	Volts
9AG30/80	3,000 W	208V
9AG40/80	4,000 W	
9AG45/80	4,500 W	
9AG50/80	5,000 W	
10G30/80	3,000 W	240V
10G40/80	4,000 W	
10G45/80	4,500 W	
10G50/80	5,000 W	
10G60/80	6,000 W	
11G30/80	3,000 W	
11G40/80	4,000 W	
11G45/80	4,500 W	
11G50/80	5,000 W	
11G60/80	6 000 W	

COMMERCIAL ELECTRIC

Giant

Illustration shows 108 model with 4 elements.



COMMERCIAL ELECTRIC

Giant