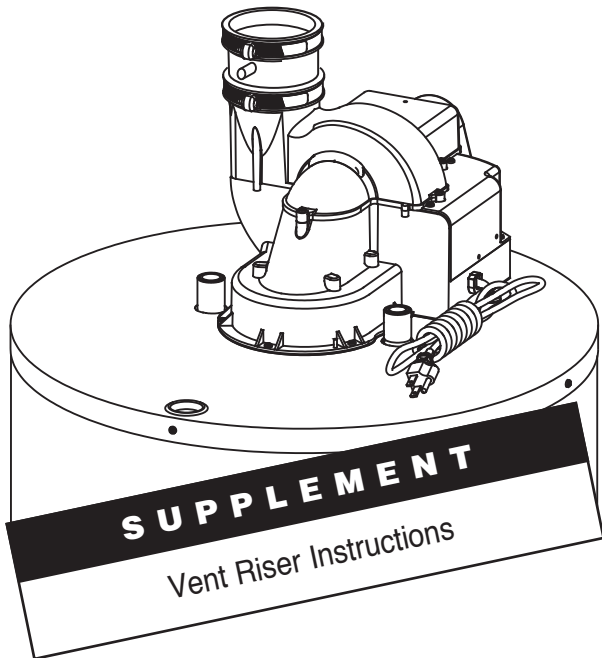


RESIDENTIAL POWER VENT GAS-FIRED WATER HEATERS (EQUIPPED WITH FVIR TECHNOLOGY) OWNER'S MANUAL SUPPLEMENT



⚠ WARNING

This water heater **IS NOT** design certified for installation in a manufactured (mobile) home or for installation outdoors.

⚠ WARNING

If the information in these instructions is not followed exactly, a fire or explosion may result causing property damage, personal injury, or death.

DO NOT store or use gasoline or other flammable vapours and liquids in the vicinity of this or any other appliance.

WHAT TO DO IF YOU SMELL GAS

- **DO NOT** try to light any appliance.
- **DO NOT** touch any electrical switch.
- **DO NOT** use any phone in your building.
- **From a neighbour's phone, immediately call your gas supplier.** Follow the gas supplier's instructions.
- If you cannot reach your gas supplier, immediately call the fire department at 911.

Installation and service must be performed by a qualified installer, service agency, or the gas supplier.

IMPORTANT

READ THESE INSTRUCTIONS CAREFULLY BEFORE BEGINNING THE INSTALLATION. PROPER INSTALLATION WILL PROVIDE SAFE & EFFICIENT SERVICE, AND AVOID NEEDLESS EXPENSE NOT COVERED BY THE WARRANTY. READ THE PRODUCT WARRANTY IN THE OWNER'S MANUAL AND REMEMBER TO FILL OUT AND RETURN TO THE MANUFACTURER, ALL RELEVANT WARRANTY CARDS AND CERTIFICATES. SHOULD YOU HAVE ANY QUESTIONS, PLEASE CONTACT YOUR LOCAL DEALER OR REFER TO THE **GETTING SERVICE FOR YOUR WATER HEATER** SECTION OF THE OWNER'S MANUAL.

SAVE THIS SUPPLEMENT FOR FUTURE REFERENCES.

For your records, write the model and serial number here:

Model # _____

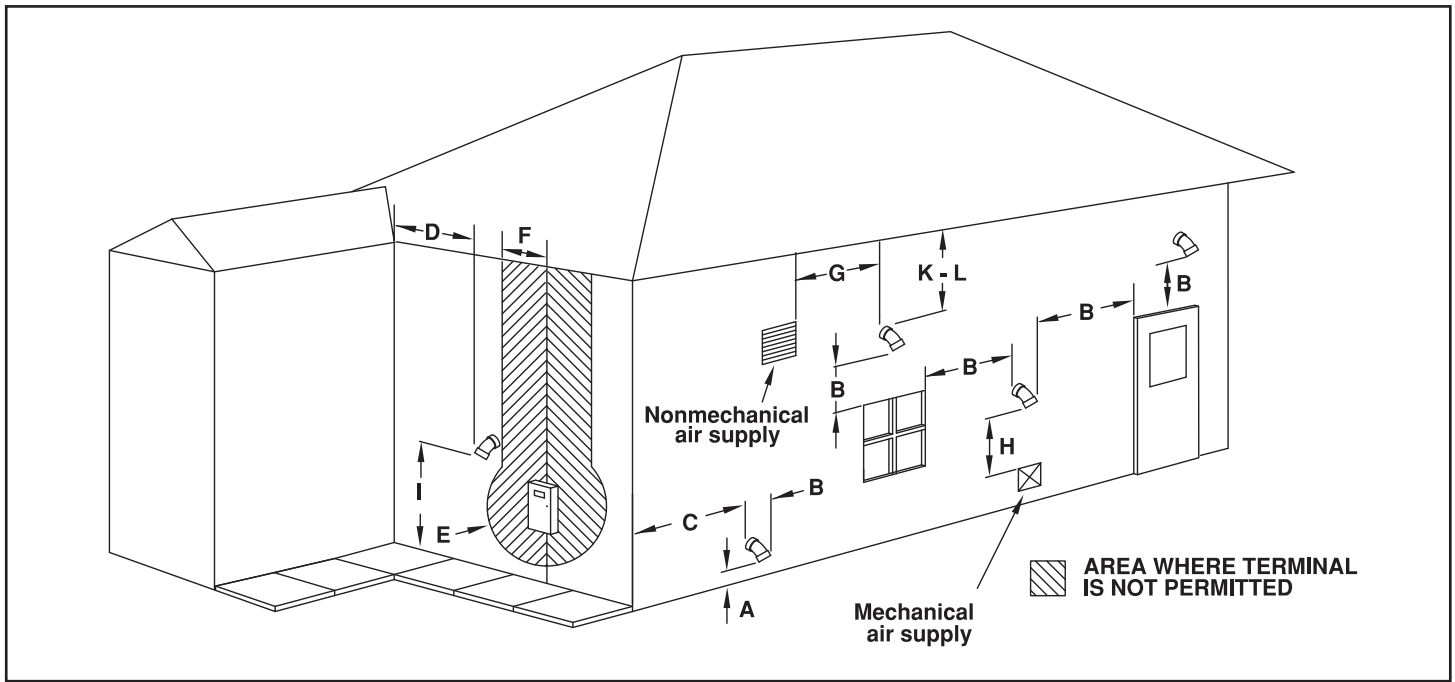
Serial # _____



C US
LOW LEAD
CONTENT



Venting



The Vent Termination must have a:

	Canadian Installations	U.S. Installations
A) Clearance above grade, veranda, porch, deck, or balcony.	12 inches (30.5 cm)	12 inches (30.5 cm)
B) Clearance to window or door that may be opened.	12 inches (30.5 cm)	* * *
C) Clearance to outside corner.	*	*
D) Clearance to inside corner.	*	3 feet (91 cm)
E) Clearance to service regulator vent outlet.	3 feet (91 cm)	6 feet (1.82 m)
F) Clearance to each side of center line extended above meter/regulator assembly.	3 feet (91 cm) within a height of 15 feet (4.57 m) above the meter/regulator assembly	3 feet (91 cm) within a height of 15 feet (4.57 m) above the meter/regulator assembly
G) Clearance to non-mechanical air supply inlet to building or the combustion air inlet to any other appliance.	12 inches (30.5 cm)	* * *
H) Clearance to a mechanical air supply inlet.	6 feet (1.82 m)	* * * *
I) Clearance above paved sidewalk or paved driveway located on public property.	7 feet (2.13 m)	7 feet (2.13 m)
J) Clearance under veranda, porch, deck, or balcony.**	12 inches (30.5 cm)	Shall not
K) Vertical clearance to ventilated soffit located above the terminal within a horizontal distance of two (2) feet (61 cm) from the center line of the terminal.*	12 inches (30.5 cm)	12 inches (30.5 cm)
L) Clearance to unventilated soffit.*	12 inches (30.5 cm)	12 inches (30.5 cm)
M) Clearance to permanently closed window.*	*	*

* Clearance in accordance with local installation codes and the requirements of the gas supplier.

For Canadian and U.S. installations, the vent shall not terminate above a paved driveway that is located between two (2) single family dwellings and serves both dwellings.

** The veranda, porch, or deck is fully open on a minimum of two sides beneath the floor.

*** The vent terminal must terminate at least four (4) feet (1.22 m) below, four (4) feet (1.22 m) horizontally from or one (1) foot (30.5 cm) above any door, window, and gravity air inlet to the building.

**** The vent terminal must terminate at least three (3) feet (91 cm) above any forced air inlet duct located within ten (10) feet (3.05 m).

Vent Termination through-the-Wall

PVC AND CPVC VENT SYSTEM: **PVC** **CPVC**

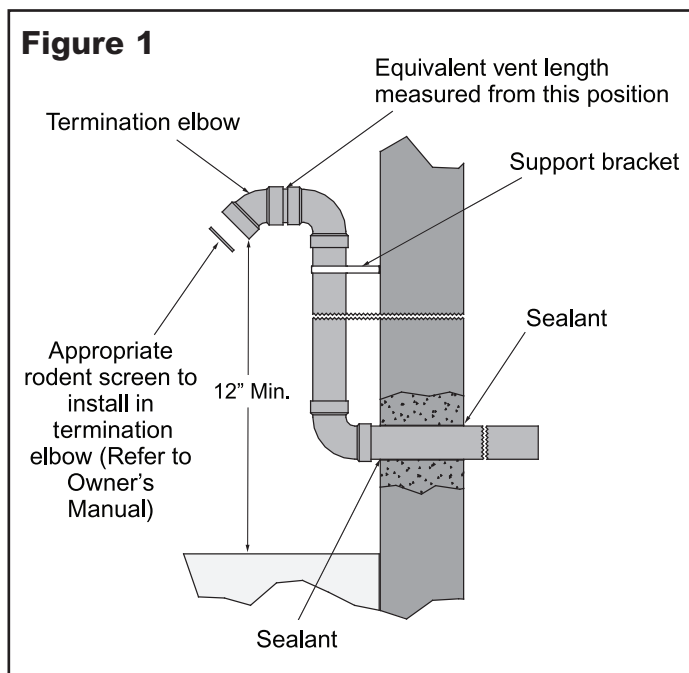
A 45-degree PVC elbow is supplied with the water heater and shall be used as the termination elbow for through-the-wall installation when the vent system is built with PVC pipes. If CPVC is used to build the vent system, use a 45-degree CPVC elbow that is approved to be used with the vent system. A wire mesh must be installed in the termination elbow.

POLYPROPYLENE SYSTEM: **PolyPro** **DuraVent** **InnoFlue** **Centrotherm**

A 45-degree polypropylene elbow approved to be used with the vent system shall be used as the termination elbow for through-the-wall installation. Be sure to remove the wire mesh screen that was supplied with the 45-degree PVC elbow and insert it in the polypropylene elbow. Push the screen until it locks in place inside the elbow.

When venting cannot exit through the wall at height greater than or equal to twelve (12) inches (30.5 cm) above ground level, or anticipated snow level, the installation must be modified to include a vent riser as shown in the **Figure 1**. The maximum equivalent length of vent pipe (including the vent riser) must be in accordance with the specifications in the installation manual.

When a vent riser is necessary, it may produce excessive condensation in the vent system, so consideration must be taken to slope the vent piping (down) toward the water heater to prevent condensate water from collecting in any part of the vent system. Refer to the **Condensation in the Venting System** section in the installation manual.



⚠ WARNING

Check that all openings and gaps in the outside wall near and around where the vent pipe pass through the exterior wall are sealed to prevent infiltration of combustion products into the building.

⚠ WARNING

In freezing weather, check for snow accumulation around the water heater vent terminal where it passes through the outside wall or roof. The open end of the terminal must be installed at least twelve (12) inches (30.5 cm) above the highest anticipated snowfall to prevent blockage by snow.

Condensation in the Venting System

In some installations, condensation will form in the horizontal runs of vent piping. In order to effectively control the condensate from adversely affecting the mechanical components of the water heater (draining back into the blower), a rubber transition fitting with a drain outlet is mounted directly on the blower vent outlet.

- Remove the cap on the drain outlet.
- Connect a 1/2" I.D. flexible, PVC (or equivalent material), clear tubing to the drain outlet. The tubing must be of sufficient length to reach a suitable free-flowing drain or other required condensate disposal termination requirements (Refer to local codes).
- Loop the drain tube so that it has a circular trap (approximately eight (8) inches (20.3 cm) in diameter) and secure the top and bottom with zip ties as shown in **Figure 2**.
- Fill the drain tube with water (at least halfway) so that no combustion gases might vent into the room.
- Route the drain tube to the floor drain and secure the tube in a vertical position to the side of the water heater.

Figure 2

