

# Giant®

Enhancing everyday living

## REPLACEMENT PARTS



# Reliance

home comfort™



**Notes ..... p 3**

**Residential Gas-fired ..... p 4**

    Atmospheric Vent ..... p 4

    Power Vent ..... p 6

    Power Vent - High input..... p 8

    Power Direct Vent ..... p 10

**Commercial Gas-fired ..... p 12**

    Power Vent - Light duty ..... p 12

**Water Heater Index ..... p 14**

**Notes ..... p 15**



**NOTES :**

Lined area for notes

NOTES



# ATMOSPHERIC VENT

**30 U.S. gallons**

UG30-32MFI-N2U-RE

**40 U.S. gallons**

UG40-38LF-N2U-RE

**50 U.S. gallons**

UG50-40LF-N2U-RE

**60 U.S. gallons**

UG60-50MFI-N2U-RE

I.D.	Part #	Description	Use with models
1	58000003-A	Piezo ignitor (After November 2013)	All
2	56000090-A 56000095-A	Gas control	UG30, UG40, UG50 UG60
3	57000016-A	Pilot/thermocouple assembly	All
4	06060001-A 06000810-A BRA05001 06001528-A	Burner assembly	UG30 UG40 UG50 UG60
5	N/A	Manifold spring	Propane models only
6	ADA03001 ADA05001	Inner access door kit	UG30, UG40 UG50, UG60
7	ADA04002	Outer access door kit	All
8	56001001-A 56001006-A 56001000-A 56001005-A	High limit switch (270°F) High limit switch (250°F) High limit switch (240°F) High limit switch (230°F)	UG30 UG40 UG50 UG60
9	15000028-A	Brass drain valve	All
10	19000002-A 19000005-A 19000007-A	Overflow tube	UG30 UG40, UG50 UG60
11	22010000-A 22000417-A 22000418-A 22001490-A	Dip tube with heat trap	UG30 UG40 UG50 UG60
12	MS145320 MS145410	Magnesium anodes (2)	UG30, UG40, UG50 UG60
13	SV0Z4220	Temperature and pressure relief valve	All
14	06110000-A 06000039-A 06000046-A	Flue baffle Power Twist™ flue baffle Power Twist™ flue baffle	UG30 UG40, UG50 UG60
15	97330000-A 99000501-A	Flue reducer	UG30 UG40, UG50, UG60
16	DH9A3500 DH6A3500	Draft hood	UG30, UG40 UG50, UG60
17	16001111-A 16001150-A	Outlet nipple with heat trap	UG30, UG40, UG50 UG60

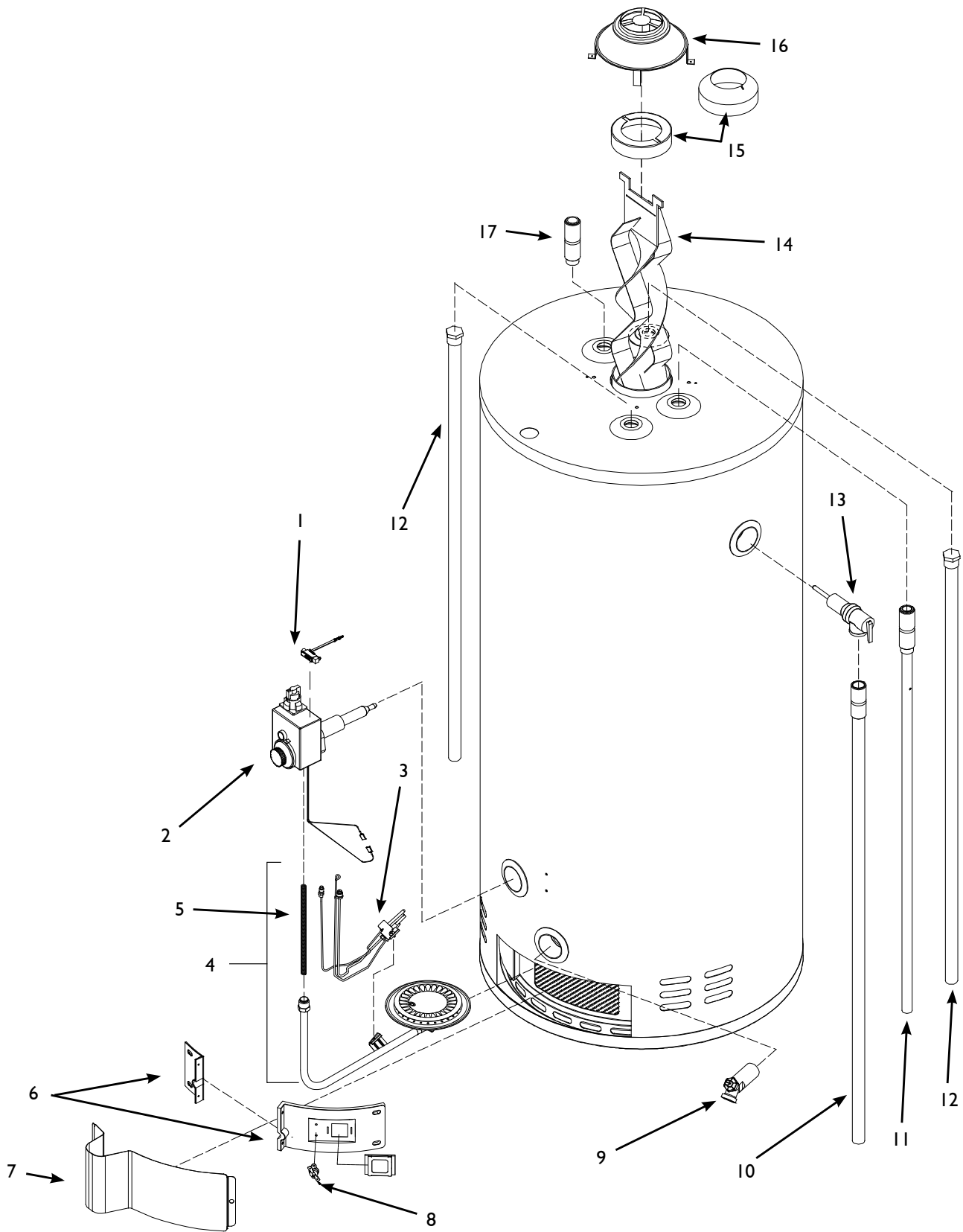
N=Natural gas

RESIDENTIAL GAS-FIRED





# RESIDENTIAL GAS-FIRED





# POWER VENT

## 40 U.S. gallons

UG40-40LFPV2-N2U-RE  
UG40-38LFPV2-P2U-RE

## 50 U.S. gallons

UG50-40LFPV2-N2U-RE  
UG50-38LFPV2-P2U-RE

## 60 U.S. gallons

UG60-40MFPV2-N2U-RE

I.D.	Part #	Description	Use with models
1	56000160-A	Gas control assembly	All
1a	56000162-A	Gas control electronic module	All
1b	N/A	Gas control body	All
2	56001004-A	Flammable vapour sensor	All
3	14000006-A	Protective cover	All
4	58000157-A	Ignitor assembly	All
5	06100820-A 06101237-A 06101522-A	Burner assembly	UG40-40LFPV2 UG50-40LFPV2 UG60-40MFPV2
6	KITPV001 KITPV002	Inner access door kit	UG40 UG50, UG60
7	99000155-A	Outer access door	All
8	56001001-A	Resettable high limit switch (270°F)	All
9	15000028-A	Brass drain valve	All
10	19000005-A 19000007-A	Overflow tube	UG40, UG50 UG60
11	22000417-A 22000418-A 22000415-A	Closed end dip tube with heat trap Closed end dip tube with heat trap Closed end dip tube with heat trap	UG40(*2U) UG50(*2U) UG60
12	MS145320 MS145410	Magnesium anodes (2)	UG40, UG50 UG60
13	SV0Z4220	Temperature and pressure relief valve	UG40, UG50, UG60(*2U)
14	99000066-A 99000063-A	Flue baffle	UG40, UG50 UG60
15	60000010-A 60000011-A 60000014-A	Vacuum switch (-0.50" w.c.) Vacuum switch (-0.55" w.c.) Vacuum switch (-0.65" w.c.)	UG40-PV2 UG50-PV2 UG60-PV2
16	56001011-A	High limit switch (155°F)	All
17	84000017-A	Rubber transition fitting (2")	All
18	06801501/A-A 06801502-A 80000012-A	Blower assembly	UG40-PV2 UG50-PV2 UG60-PV2
19	16001111-A NP022241 16001110-A	Outlet nipple with heat trap Outlet nipple Outlet nipple with heat trap	UG40(*2U) UG50 UG50, UG60(*2U)
20	14010001-A 14010004-A	Black restrictor screen (2") - PVC/CPVC Grey restrictor screen (2") - PP	(*2U) (Ventilation length 0-30pi) (*2U) (Ventilation length 0-30pi)

N=Natural gas

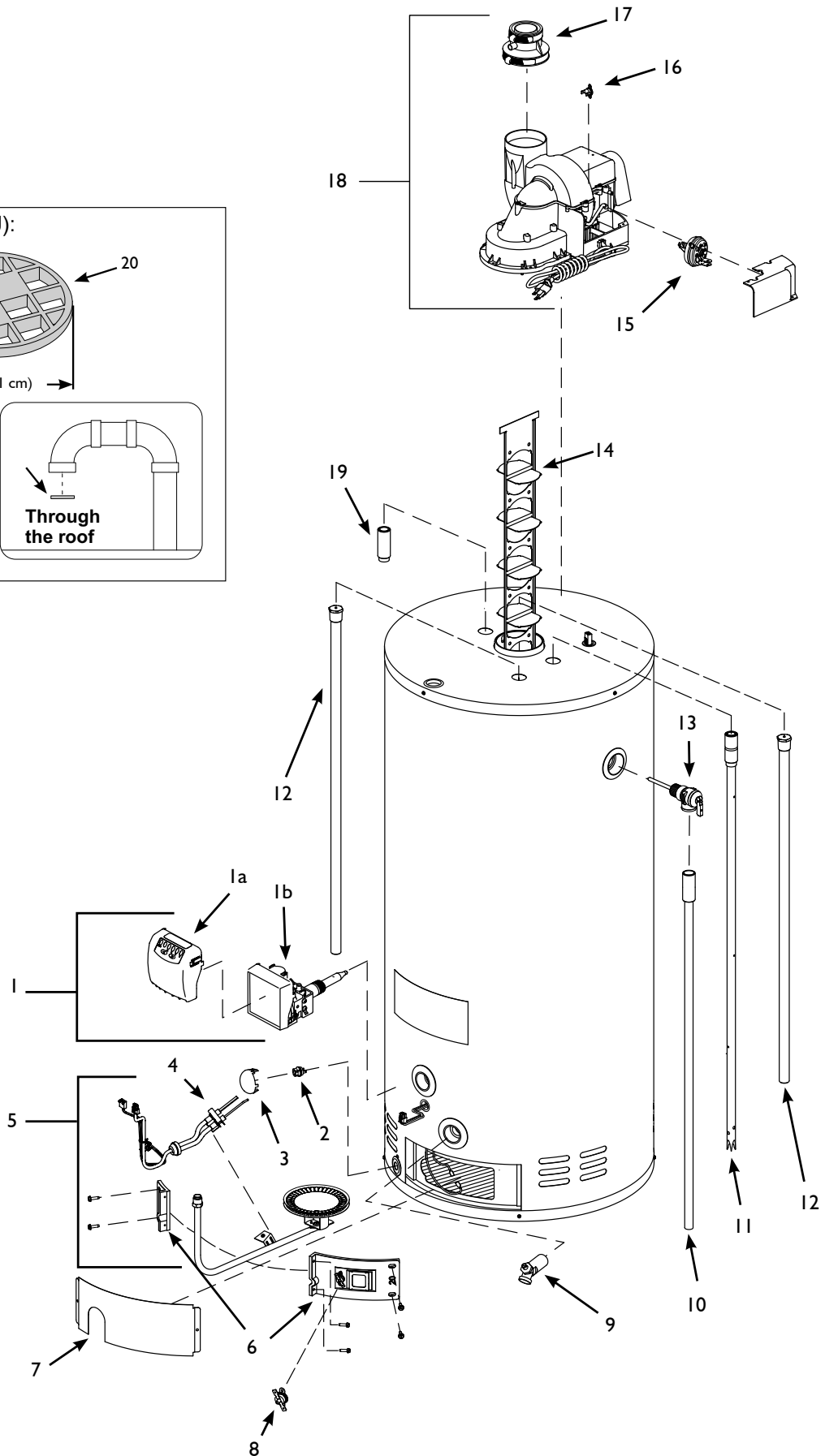
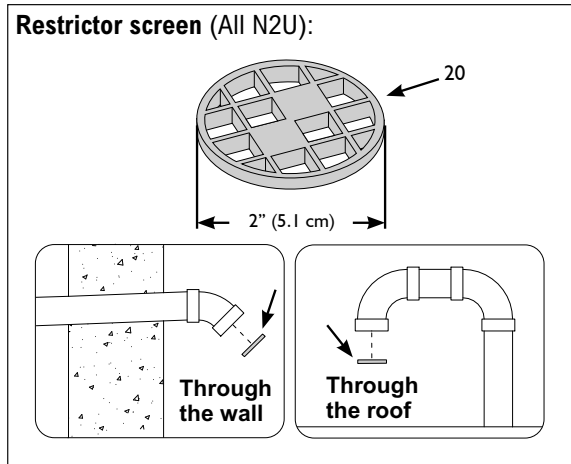
For PROPANE models, substitute the following:

I.D.	Part #	Description	Use with models
1	56000161-A	Gas control assembly	All
5	06100821-A 06101238-A	Burner assembly	UG40-38LFPV2-P2U UG50-38LFPV2-P2U

All propane burner manifolds are LEFT HAND THREAD.



# RESIDENTIAL GAS-FIRED





# POWER VENT - High input

**50 U.S. gallons**

UG50-62-LFPVI-N2U-RE

**RESIDENTIAL GAS-FIRED**



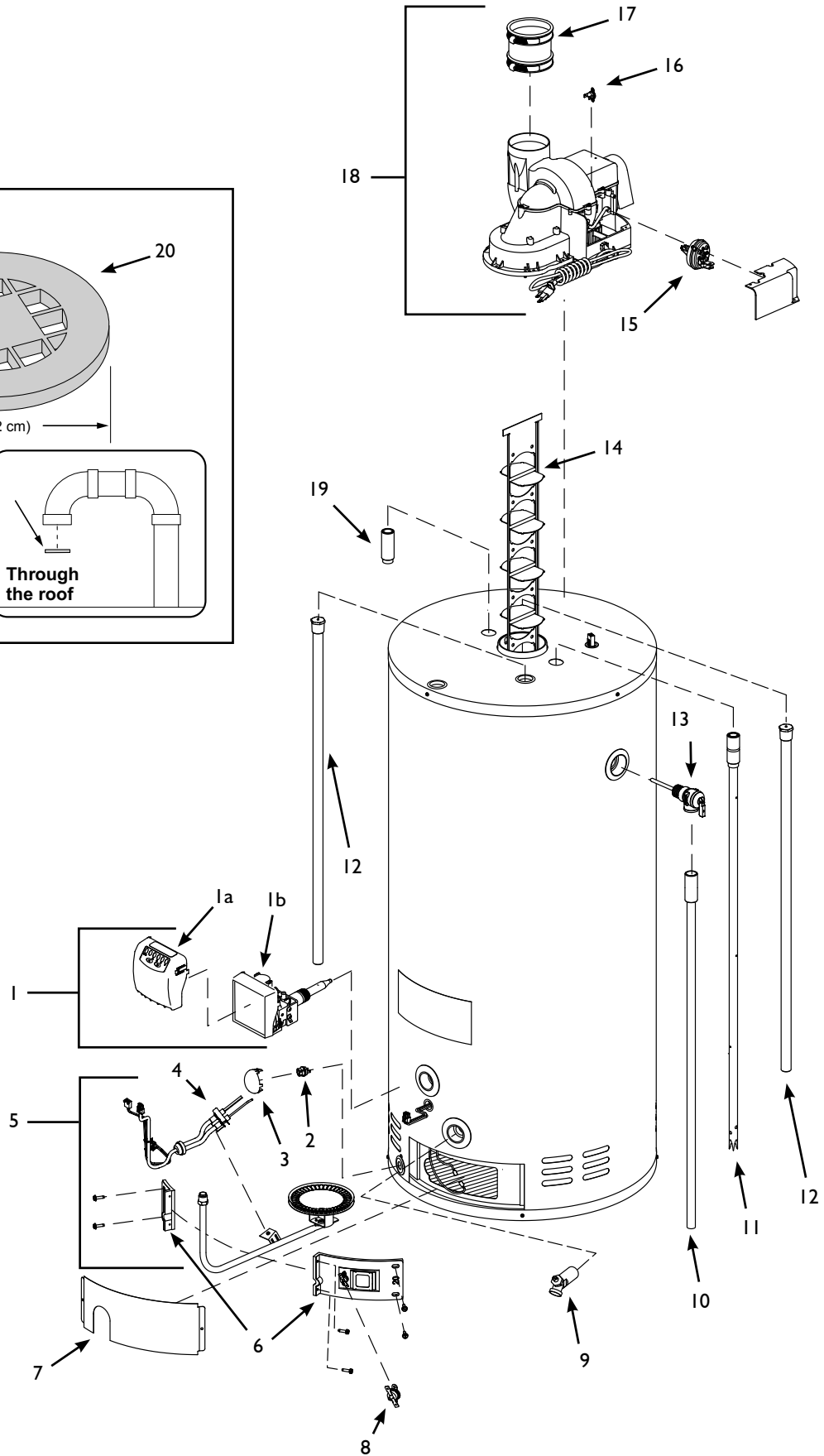
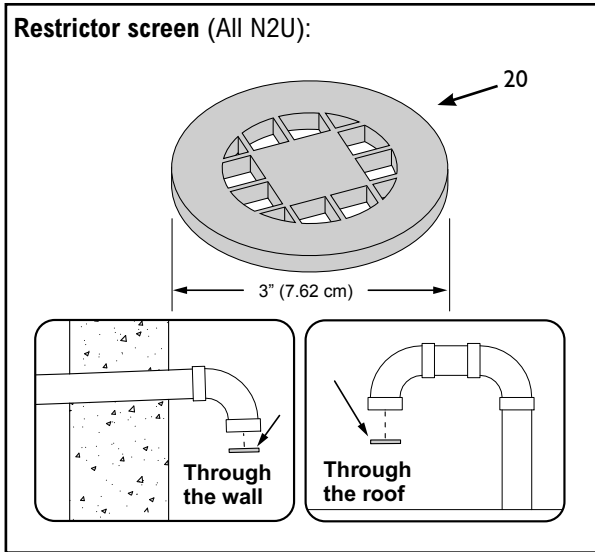
I.D.	Part #	Description	Use with models
1	56000160-A	Gas control assembly	All
1a	56000162-A	Gas control electronic module	All
1b	N/A	Gas control body	All
2	56001004-A	Flammable vapour sensor	All
3	14000006-A	Protective cover	All
4	58000157-A	Ignitor assembly	All
5	06101246-A	Burner assembly	All
6	KITPV003	Inner access door kit	All
7	99000155-A	Outer access door	All
8	56001013-A	Resettable high limit switch (310°F)	All
9	15000028-A	Brass drain valve	All
10	19000005-A	Overflow tube	All
11	22000420-A	Closed end dip tube with heat trap	All
12	MS145320	Magnesium anodes (2)	All
13	SV0Z4220	Temperature and pressure relief valve	All
14	99000070-A	Flue Baffle	All
15	60000016-A	Vacuum switch (-1.15" w.c.)	All
16	56001012-A	High limit switch (150°F)	All
17	84000002-A	Rubber transition fitting (3")	All
18	06801801-A	Blower assembly	All
19	16001114-A	Outlet nipple with heat trap	All
20	14010007-A 14010008-A	Black restrictor screen (3") - PVC/CPVC Grey restrictor screen (3") - PP	All (Venting length 0-25pi) All (Venting length 0-25pi)

N=Natural gas





# RESIDENTIAL GAS-FIRED





# POWER DIRECT VENT

**40 U.S. gallons**

UG40-38TFPDV1-N2U-RE

**50 U.S. gallons**

UG50-38TFPDV1-N2U-RE

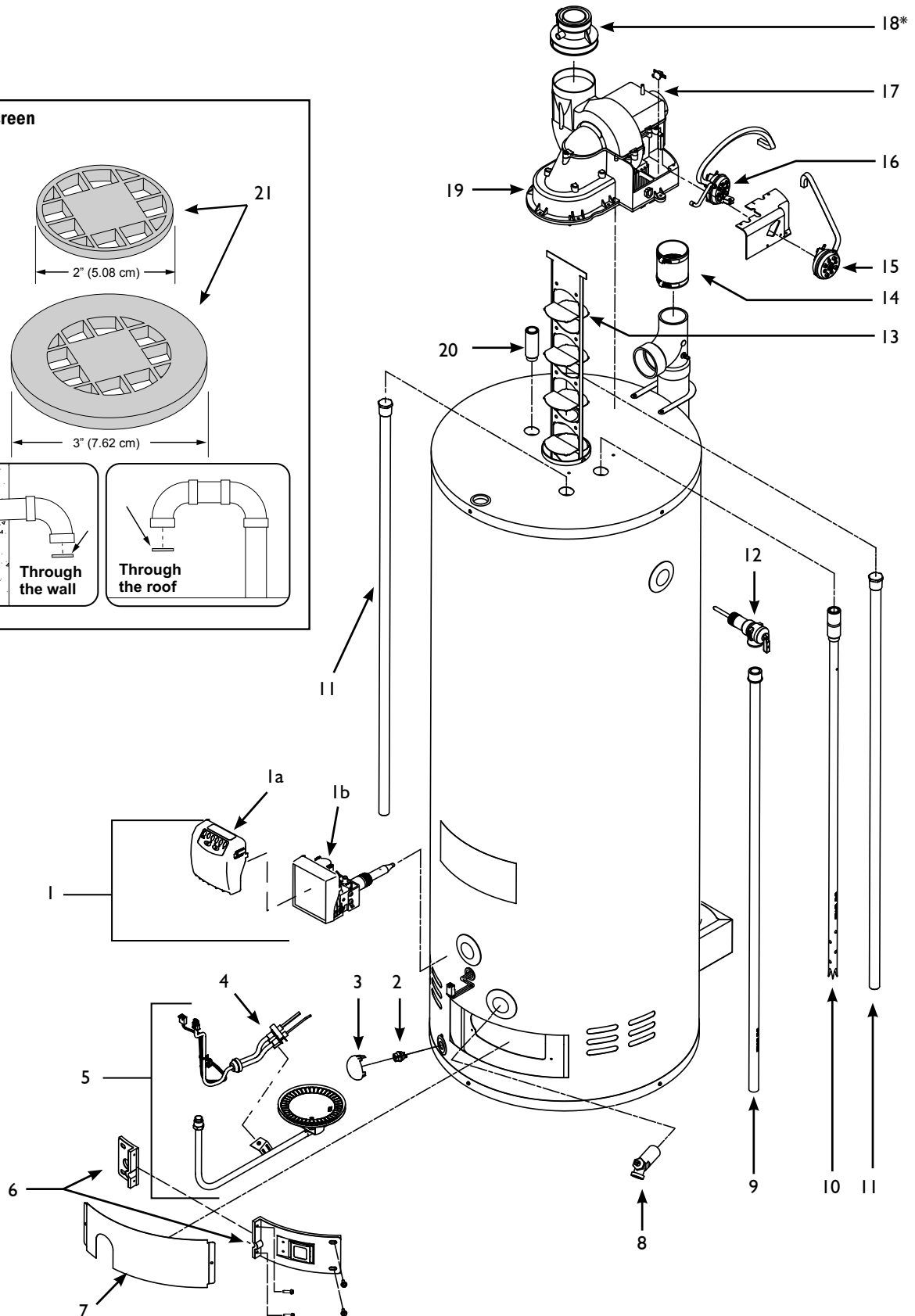
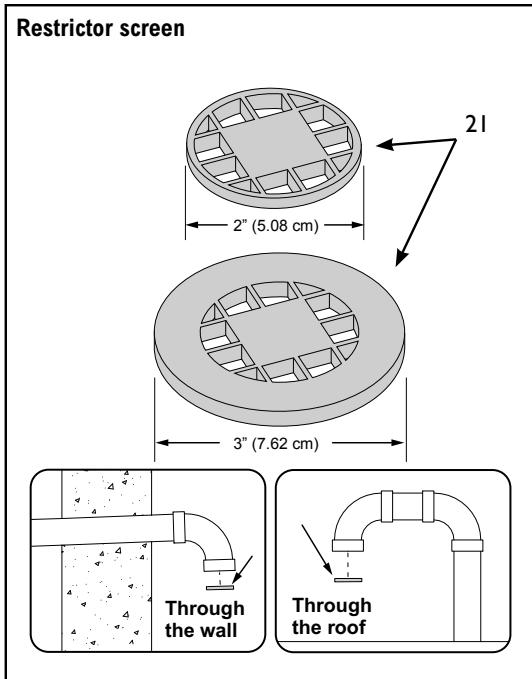
RESIDENTIAL GAS-FIRED



I.D.	Part #	Description	Use with models
1	56000160-A	Gas control assembly	All
1a	56000162-A	Gas control electronic module	All
1b	N/A	Gas control body	All
2	56001004-A	Flammable vapour sensor	All
3	14000006-A	Protective cover	All
4	58000157-A	Ignitor assembly	All
5	06100822-A 06101241-A	Burner assembly	UG40 UG50
6	KITPV001 KITPV002	Inner access door kit <sup>1</sup>	UG40 UG50
7	99000155-A	Outer access door	All
8	15000028-A	Brass drain valve	All
9	19000005-A	Overflow tube	All
10	22000414-A 22000415-A	Closed end dip tube with heat trap Closed end dip tube with heat trap	UG40 UG50
11	MS145410	Magnesium anodes (2)	All
12	SV0Z4220	Temperature and pressure relief valve	All
13	99000063-A	Flue baffle	All
14	84000004-A	Inlet rubber transition fitting (2")	All
15	60000007-A	Vacuum switch inlet (-1.15")	All
16	60000012-A	Vacuum switch outlet (-0.50")	All
17	56001010-A	High limit switch (165°F)	All
18	84000017-A	Outlet rubber transition fitting (2")	All
19	06801701/2A	Blower assembly (Molex)	All
20	16001110-A	Outlet nipple with heat trap	All
21	14010001-A 14010004-A 14010007-A 14010008-A	Black restrictor screen (2") - PVC/CPVC Grey restrictor screen (2") - PP Black restrictor screen (3") - PVC/CPVC Grey restrictor screen (3") - PP	All Low Input (Ventilation length 0-30ft) All Low Input (Ventilation length 0-30ft) For 3" venting (Ventilation length 0-80ft) For 3" venting (Ventilation length 0-80ft)

<sup>1</sup> Includes both door and gasket.

N=Natural gas





# POWER VENT - Light duty

**75 U.S. gallons**

UG75-76MEPVI-N2U-RE

I.D.	Part #	Description
1	56000160-A	Gas control assembly
1a	56000162-A	Gas control electronic module
1b	N/A	Gas control body
2	56001004-A	Flammable vapour sensor
3	14000006-A	Protective cover
4	58000157-A	Ignitor assembly
5	06101610-A	Burner assembly
6	KITPV004	Inner access door kit
7	99000155-A	Outer access door
8	DV3Z0070	Brass drain valve
9	19000006-A	Overflow tube
10	22000412-A	Closed end dip tube with heat trap
11	MS145410	Magnesium anodes (2)
12	SV0Z4220	Temperature and pressure relief valve
13	99000071-A	Flue baffle (5")
14	06801901-A	Blower assembly
15	56001014-A	High limit switch (145°F)
16	84000002-A	Rubber transition fitting (3")
17	60000017-A	Vacuum switch (-0.70" w.c.)
18	16001115-A	Outlet nipple with heat trap

N=Natural gas

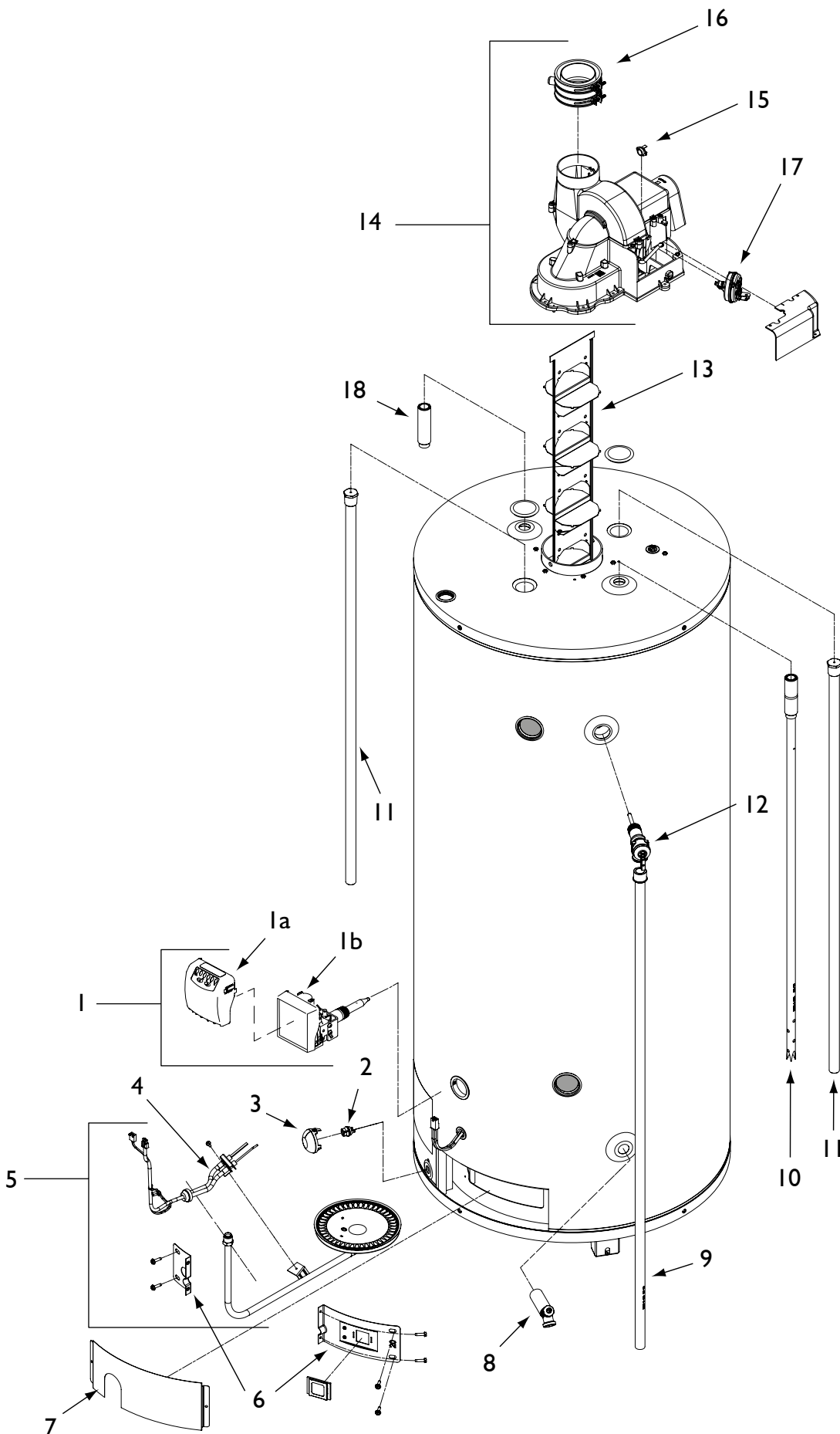
COMMERCIAL GAS-FIRED





# COMMERCIAL GAS-FIRED

*Giant*





<b>Residential Gas-Fired .....p 4</b>	<b>Power Vent, High Input .....p 8</b>
<b>Atmospheric Vent.....p 4</b>	UG50-62-LFPVI-N2U-RE.....p 8
UG30-32MFI-N2U-RE.....p 4	<b>Power Direct Vent .....p 10</b>
UG40-38LF-N2U-RE .....p 4	UG40-38TFPDVI-N2U-RE .....p 10
UG50-40LF-N2U-RE .....p 4	UG50-38TFPDVI-N2U-RE .....p 10
UG60-50MFI-N2U-RE.....p 4	<b>Commercial Gas-Fired .....p 12</b>
UG60-50MFI-N2U-EC.....p 4	<b>Power Vent, Light Duty.....p 12</b>
UG60-52MF-N2U-EC.....p 4	UG75-76MEPVI-N2U-RE .....p 12
<b>Power Vent .....p 6</b>	
UG40-38LFPV2-P2U-RE .....p 6	
UG40-40LFPV2-N2U-RE .....p 6	
UG50-38LFPV2-P2U-RE .....p 6	
UG50-40LFPV2-N2U-RE .....p 6	
UG60-40MFPV2-N2U-RE.....p 6	



**NOTES :** \_\_\_\_\_

\_\_\_\_\_

\_\_\_\_\_

\_\_\_\_\_

\_\_\_\_\_

\_\_\_\_\_

\_\_\_\_\_

\_\_\_\_\_

\_\_\_\_\_

\_\_\_\_\_

\_\_\_\_\_

\_\_\_\_\_

\_\_\_\_\_

\_\_\_\_\_

\_\_\_\_\_

\_\_\_\_\_

\_\_\_\_\_

\_\_\_\_\_

\_\_\_\_\_

\_\_\_\_\_

\_\_\_\_\_

\_\_\_\_\_

\_\_\_\_\_

\_\_\_\_\_

\_\_\_\_\_

**NOTES**

