



POWER DIRECT VENT

40 U.S. gallon

300/301 Series

UG40-40SPDV3-N2 (300)

50 U.S. gallon

300/301 Series

UG50-45TPDV3-N2 (300)
UG50-45TPDV3-N2-RE (300)* UG50-62TPDV3-N2-KH (300)*
UG50-45TPDV3-N2-KH (300)* UG50-62TPDV3-P2 (301)
UG50-45TPDV3-P2 (301)

50 U.S. gallon High-Input

300/301 Series

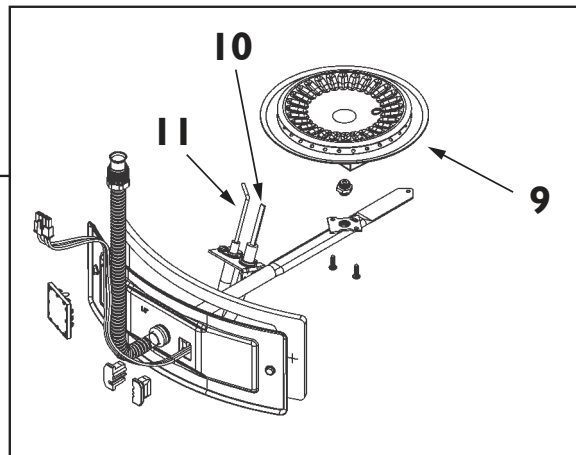
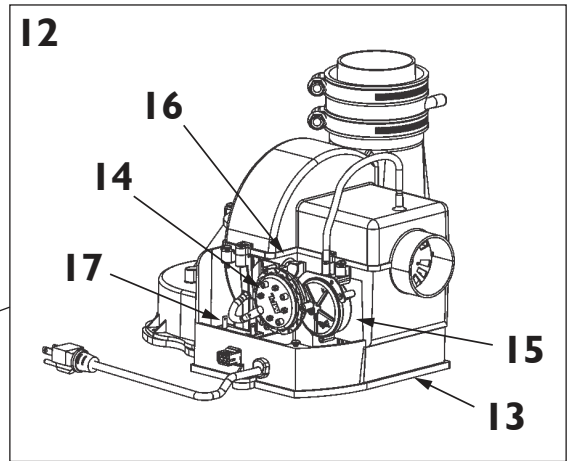
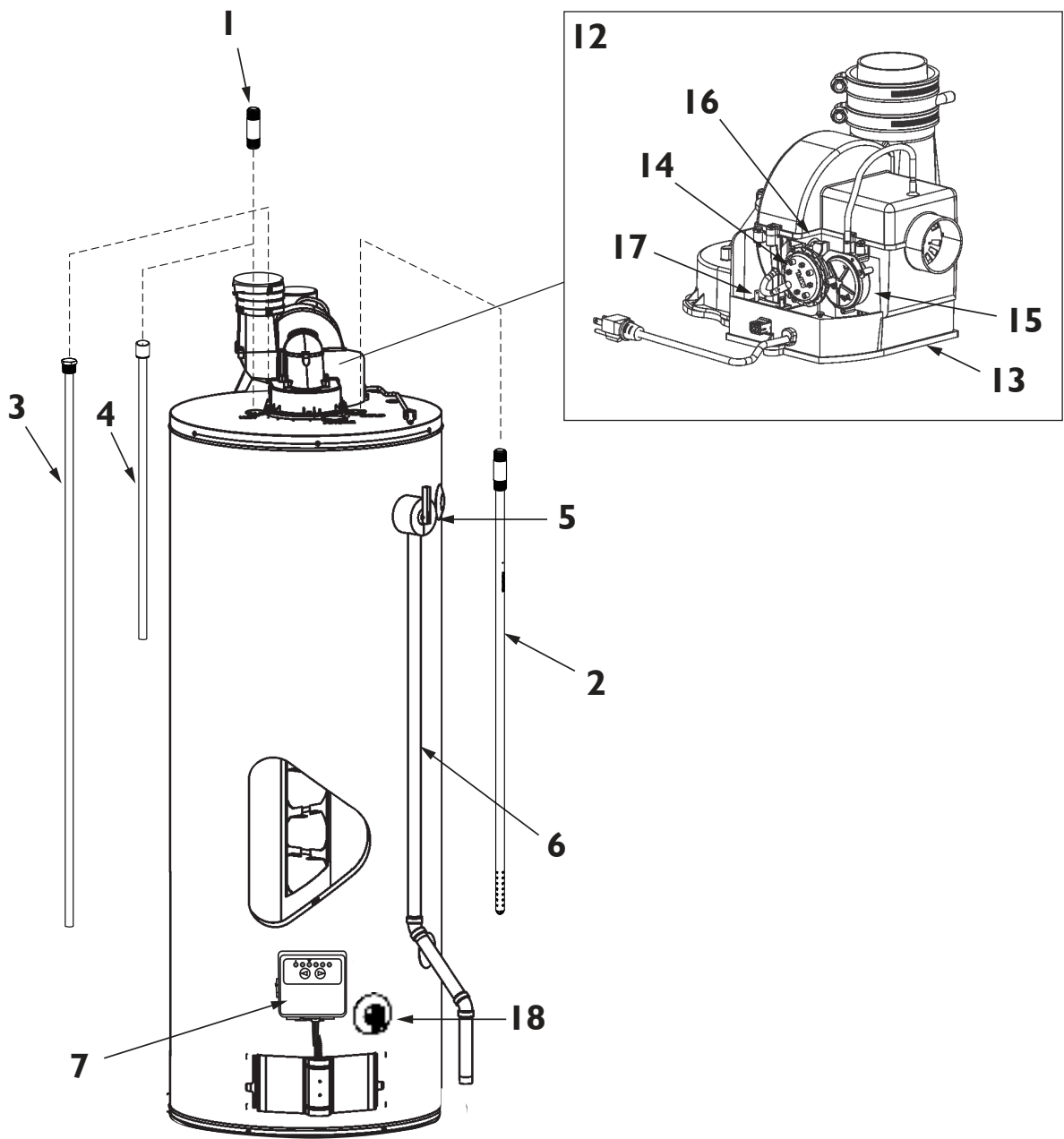
*Model dedicated to the rental market only: (EC, RE, KU, GM, EH, GU)
Notes: H: Honeywell (Resideo) and Propane: Always Resideo (Honeywell)

I.D.	PART #	DESCRIPTION	USE WITH MODELS
1	I00265847	Galvanized fitting 3/4" x 3" (pack of 2)	All
2	I00112694	Dip tube with galvanized inlet fitting 3/4" (31-1/4")	UG40, UG50-45
	I00112695	Dip tube with galvanized inlet fitting 3/4" (37-3/4")	UG50-62
3	I00108660	Magnesium Anode 3/4" (32" long, 0.84" diam)	UG40, UG50-45
	I00109223	Magnesium Anode 3/4" (44" long, 0.84" diam)	UG50-62
4	I00300397	Magnesium Anode (16" long) with 3/4" galvanized outlet fitting	All
5	I00265844	Temperature and pressure relief valve 3/4" x 2 1/4"	All
6	I00108741	Temperature and pressure outlet tube 3/4" x 42" (55" total)	UG40
	I00093855	Temperature and pressure outlet tube 3/4" x 43" (56 1/2" total)	UG50
7	I00308912	Natural gas control - Resideo (Honeywell)	UG50 (_H)
	I00210081	Natural gas control - White-Rodgers (Emerson) (When applicable*) (Without FV Sensor connection)	UG40, UG50 (But _H)
	I00308913	Propane gas control - Resideo (Honeywell)	All
8	I00209980	Complete burner assembly - Natural gas - Resideo	UG40
	I00112668		UG50-45
	I00209991		UG50-62 (But _H)
	I00209990	Complete burner assembly - Propane gas	UG50-45
	I00209993		UG50-62
9	I00112680	Burner (Stainless Steel)	UG40, UG50-45
	I00112681		UG50-62
10	I00112679	Ignitor (Resideo and WR)	All
11	I00112678	Flame sensor (Resideo and WR)	All
12	I00308914	Blower (with 120Volt plug) (includes pressure sensor, high-temperature sensor, but no harness)	UG40, UG50-45
	I00308924		UG50-62
13	I00308921	Blower gasket	UG40, UG50-45
	I00308920		UG50-62
14	I00308917	Exhaust air pressure switch (N.O.)	UG40, UG50-45
	I00308925		UG50-62
15	I00308918	Intake air pressure switch (N.C.)	UG40, UG50-45
	I00308926		UG50-62
16	I00308915	High-limit switch 150°F	All
17	I00308916	Capacitor	All
18	I00263912	Brass drain valve	All

*Depending on the brand of gas control on site (Resideo / Honeywell or White-Rodgers / Emerson)

RESIDENTIAL GAS-FIRED





RESIDENTIAL GAS-FIRED

Giant