



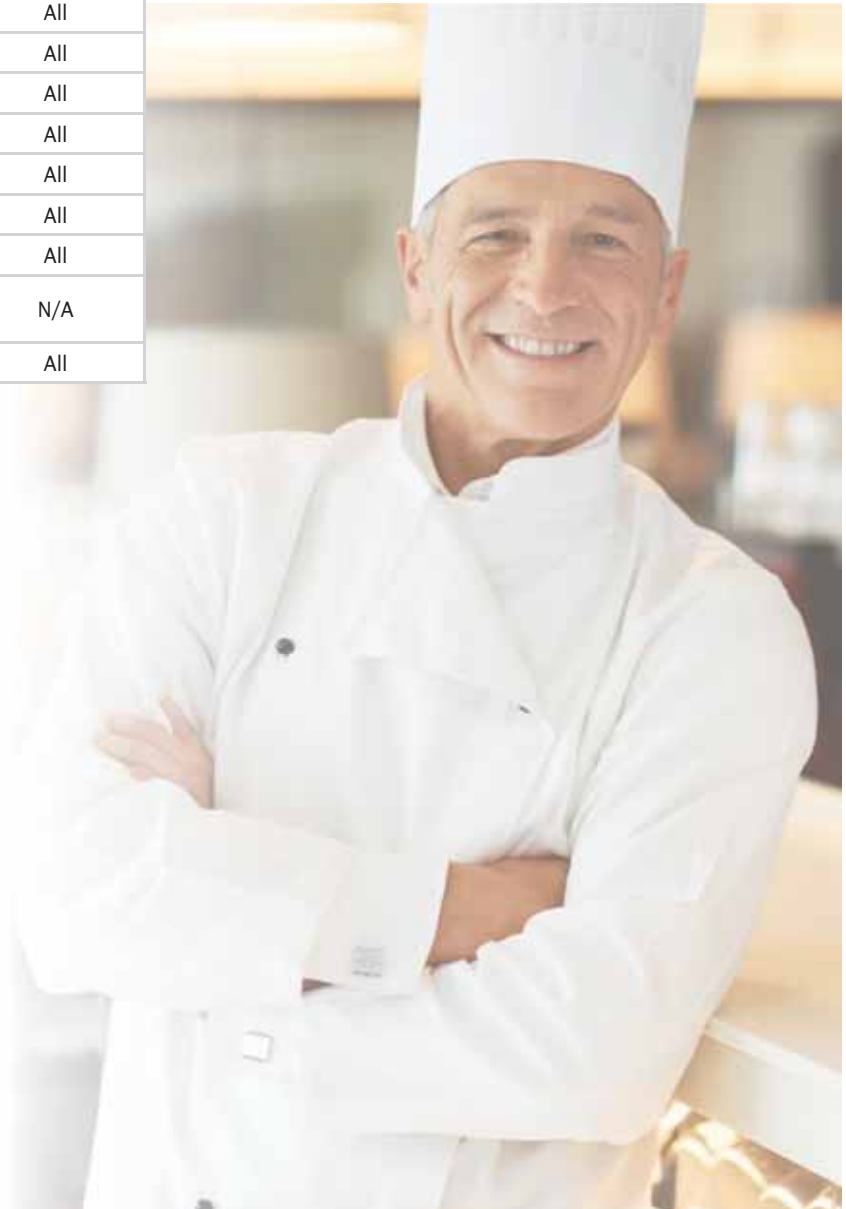
## COMMERCIAL LIGHT DUTY POWER VENT GAS MODELS

75 gallons

UG75-68MEPV-N2U\*,  
UG75-75MEPV-N2U\*

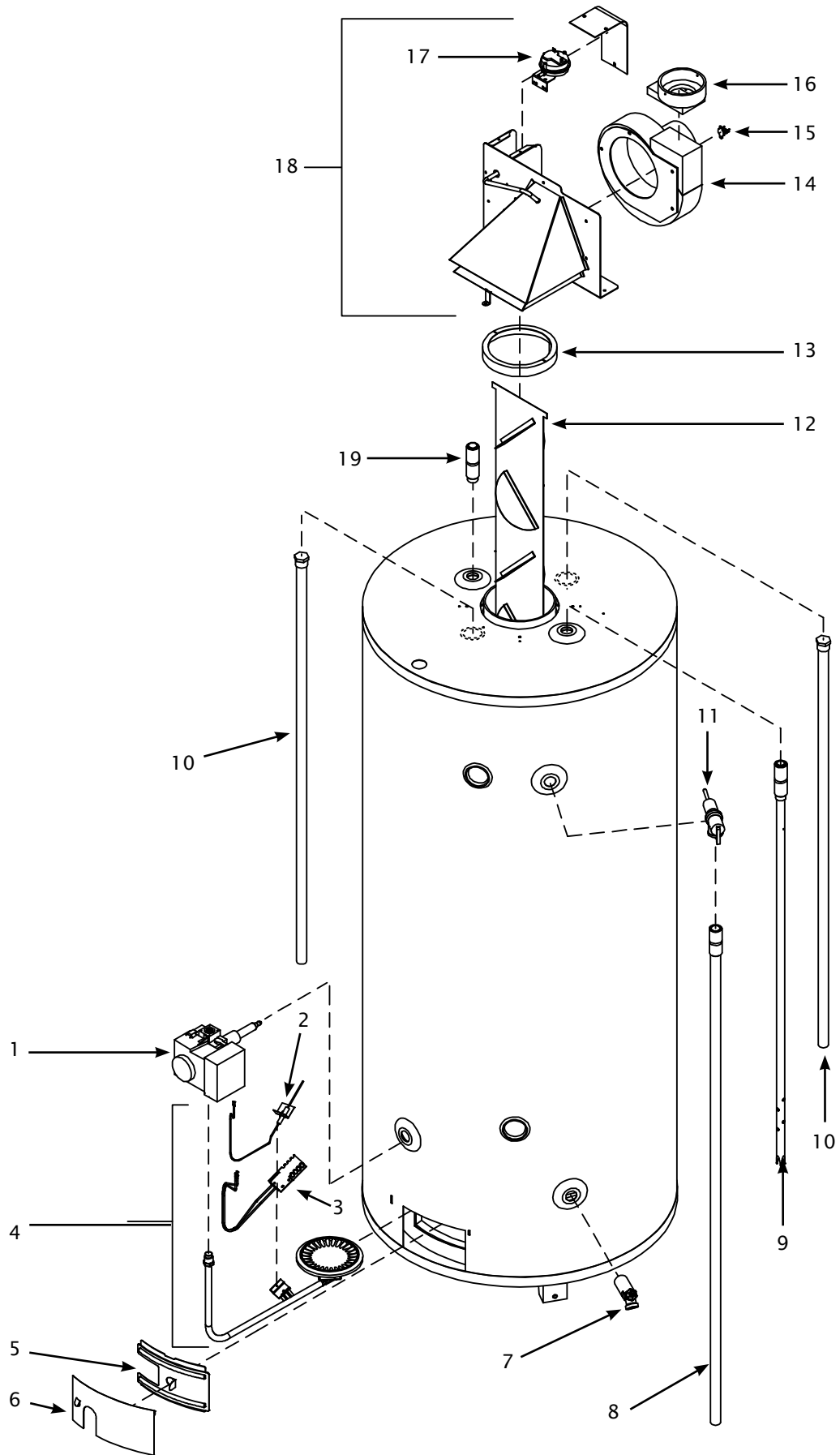
\* Discontinued models

I.D.	Part #	Description	Use With Models
1	GC0D2630	Gas control valve	All
2	PT3D1000	Flame sensor	All
3	IG4D1001	Ignitor	All
4	06001603-A 06001607-A	Burner assembly	UG75-68 UG75-75
5	AD2A4150	Inner access door	All
6	AD2A4200	Outer access door	All
7	DV3Z0070	Brass drain valve	All
8	19000006-A	Overflow tube	All
9	DT006377	Dip tube	All
10	MS145410	Magnesium anodes	All
11	SV0Z4220	T&P relief valve	All
12	SB9A3300	Flue baffle	All
13	99000507-A	Flue reducer	All
14	GP2D1901	Blower motor	All
15	GC3D4000	High limit switch 220°F	All
16	GP5D4901	PVC adaptor	All
17	GP3D2901	Vacuum switch	All
18	GP0D0001	Blower assembly (see GP2D1901)	N/A
19	16000015-A	Outlet nipple	All





# REPLACEMENT PARTS LIST





## COMMERCIAL LIGHT DUTY POWER VENT GAS MODELS

**75 gallons**

UG75-68MEPV-N2U,

UG75-76MEPV-N2U

I.D.	Part #	Description	Use With Models
1	56000152-A	Gas control valve	All
2	42000023-A	Electric connector	All
3	56000149-A	Ignitor assembly	All
4	06001614-A 06001609-A	Burner assembly	UG75-68 UG75-76
5	AD2A4150	Inner access door	All
6	AD2A4200	Outer access door	All
7	DV3Z0070	Brass drain valve	All
8	19000006-A	Overflow tube	All
9	DT006377	Dip tube	All
10	SV0Z4220	T&P relief valve	All
11	99000062-A	Flue baffle	All
12	63000001-A	Rubber adaptor	All
13	56001009-A	High limit switch 175°F	All
14	60000002-A	Vacuum switch	All
15	80000004-A	Blower assembly (Replaced by 80000008-A*)	All
16	16000015-A	Outlet nipple	All
17	MS145410	Magnesium anodes	All

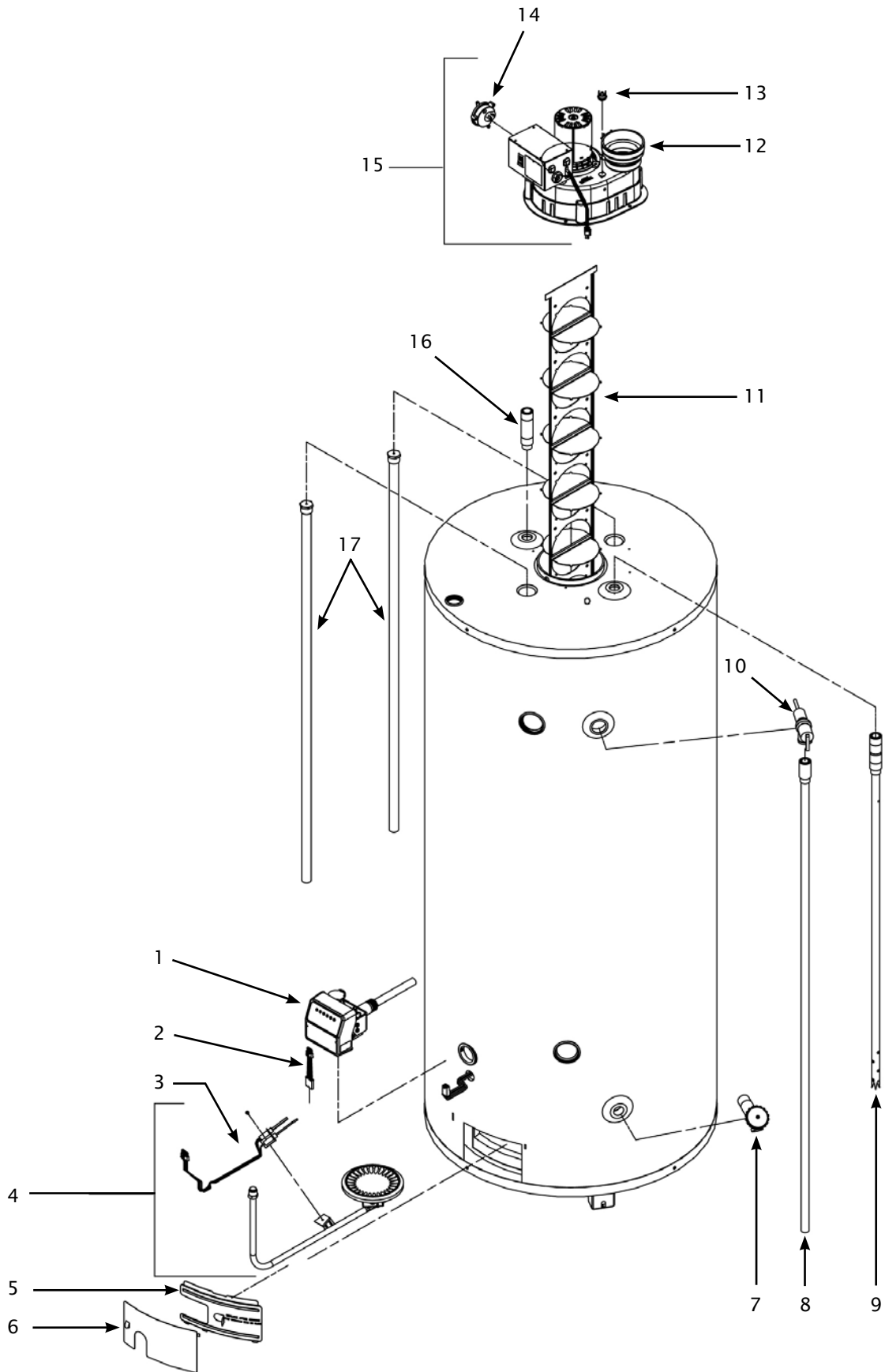
\* Must be installed with wire connector 42000067-A on heaters built prior to Feb. 2014



Extract from the Replacement Part Catalog (June 2015)



# REPLACEMENT PARTS LIST



Extract from the Replacement Part Catalog (June 2015)  
**Giant**