



## RESIDENTIAL POWER DIRECT VENT GAS MODELS

### 40 gallons

UG40-38TFPDV-N2U

### 50 gallons

UG50-54LFPDV-N1U,  
UG50-59LFPDV-N1U,  
UG50-60LFPDV-N1U,  
UG50-65LFPDV-N1U,  
UG50-38TFPDV-N2U,  
UG50-41TFPDV-N2U,

### 60 gallons

UG60-38MFPDV-N1U,  
UG60-41MFPDV-N1U,  
UG60-41MFPDV-P1U

I.D.	Part #	Description	Use With Models
2	56001004-A	Flammable vapour sensor	All
3	14000006-A	Protective cover	All
4	58000155-A	Ignitor assembly	All
6	KITPV001 KITPV002	Inner access door kit <sup>1</sup>	UG40, UG50-38, UG50-41 UG50-60, UG50-54, UG50-65, UG50-59, UG60
7	99000155-A	Outer access door	All
8	15000028-A	Brass drain valve	All
9	19000006-A 19000005-A	Overflow tube	UG40, UG50-38, UG50-41, UG60 UG50-60, UG50-54, UG50-65, UG50-59
10	22000414-A	Dip tube with heat trap	UG40-38
	22000415-A	Dip tube with heat trap	UG50-38
	22000404-A	Dip tube	UG50-41, UG60-41
	22000405-A	Dip tube	UG60-38
	22000406-A	Dip tube	UG50-60, UG50-54, UG50-65, UG50-59
11	MS145410 MS145320	Magnesium anode	UG40, UG50-38, UG50-41, UG60 UG50-60, UG50-54, UG50-65, UG50-59
12	SV0Z4220 18G0022	T&P relief valve	UG40, UG50-38, UG50-41 UG50-60, UG50-54, UG50-65, UG50-59, UG60
13	99000063-A	Baffle	UG40, UG50-38, UG50-41, UG60
	99000064-A	Baffle	UG50-65, UG50-59
	99000065-A	Baffle	UG50-60, UG50-54
14	84000003-A	Inlet rubber adaptor 3"	UG50-41, UG50-54, UG50-59, UG50-60, UG50-65, UG60-41
	84000004-A	Inlet rubber adaptor 2"	UG40-38, UG50-38, UG60-38
15	60000013-A*	Vacuum switch - Inlet	UG50-38*
	60000004-A	Vacuum switch - Inlet	UG50-41, UG60-41
	60000007-A	Vacuum switch - Inlet	UG50-60, UG50-54, UG50-65, UG50-59, UG40-38, UG50-38, UG60-38
16	60000012-A	Vacuum switch - Outlet	UG40-38, UG50-38, UG60-38
	60000009-A	Vacuum switch - Outlet	UG50-41, UG60-41
	60000008-A	Vacuum switch - Outlet	UG50-60, UG50-54, UG50-65, UG50-59
17	56001010-A	High limit switch 165°F	All
18	84000017-A	Outlet rubber adaptor 2"	UG40-38, UG50-38, UG60-38
	84000002-A	Outlet rubber adaptor 3"	All (except 38,000 BTU)
19	06801701-A	Blower assembly (until April 12 <sup>th</sup> , 2011)	UG50-38
	06801701/A-A	Blower assembly (from April 13 <sup>th</sup> , 2011 to Oct 7 <sup>th</sup> , 2013)	UG40-38, UG50-38, UG60-38
	06801701-2A	Blower assembly (Molex connector, starting Oct 8 <sup>th</sup> , 2013)	UG40-38, UG50-38, UG60-38
	80000006-A	Blower assembly (computer connector)	UG50-41, UG60-41
	80000006-1-A	Blower assembly (Molex connector)	UG50-41, UG60-41
	80000007-A	Blower assembly (until Jan. 23 <sup>rd</sup> , 2011)	UG50-60, UG50-54, UG50-65, UG50-59
80000007-1A	Blower assembly (as of Jan. 24 <sup>th</sup> , 2011)	UG50-60, UG50-54, UG50-65, UG50-59	
20	NP022241	Outlet nipple	UG50-38, UG50-41, UG60-41
	16001110-A	Outlet nipple with heat trap	UG40-38, UG50-38, UG60-38
	16000014-A	Outlet nipple	UG50-60, UG50-54, UG50-65, UG50-59
21	14010002-A	Restrictor screen 2"	UG40-38, UG50-38, UG60-38
	14010003-A	Restrictor screen 3"	UG40-38, UG50-38, UG60-38

<sup>1</sup> (Includes both door and gasket)

\* (Until April 13<sup>th</sup>, 2011)



# REPLACEMENT PARTS LIST

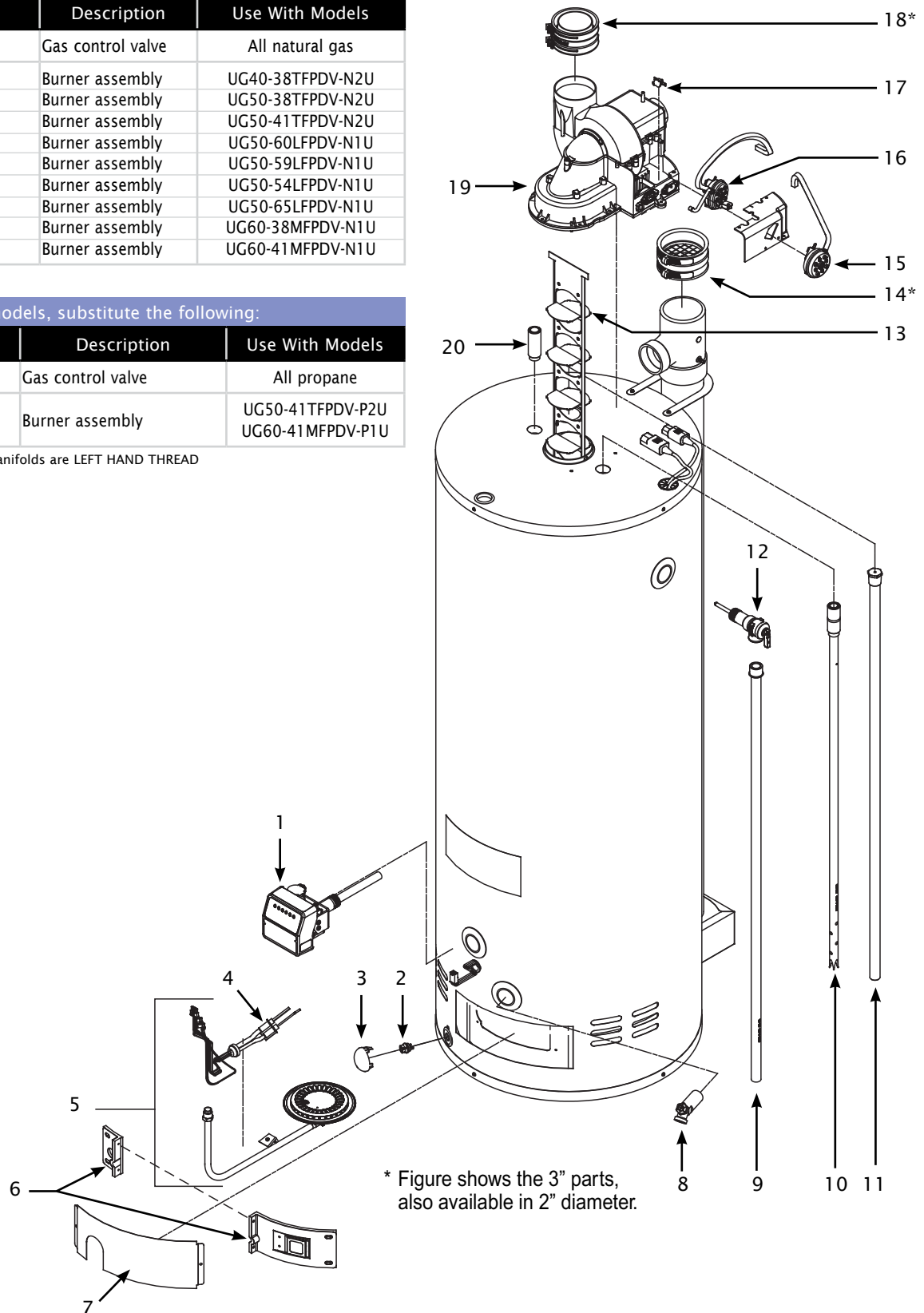
## Natural gas (continued)

I.D.	Part #	Description	Use With Models
1	56000152-A	Gas control valve	All natural gas
5	06000822-A	Burner assembly	UG40-38TFPDV-N2U
	06001241-A	Burner assembly	UG50-38TFPDV-N2U
	06001217-A	Burner assembly	UG50-41TFPDV-N2U
	06001223-A	Burner assembly	UG50-60LFPDV-N1U
	06001223-A	Burner assembly	UG50-59LFPDV-N1U
	06001231-A	Burner assembly	UG50-54LFPDV-N1U
	06001229-A	Burner assembly	UG50-65LFPDV-N1U
	06001526-A	Burner assembly	UG60-38MFPDV-N1U
	06001520-A	Burner assembly	UG60-41MFPDV-N1U

For PROPANE models, substitute the following:

I.D.	Part #	Description	Use With Models
1	56000153-A	Gas control valve	All propane
5	06001230-A	Burner assembly	UG50-41TFPDV-P2U
	06001521-A		UG60-41MFPDV-P1U

All propane burner manifolds are LEFT HAND THREAD



Extract from the Replacement Part Catalog (June 2015)