



RESIDENTIAL ELECTRIC MODELS 142ETE, 152ETE, 172ETE (Standard) MODELS

I.D.	Part #	Description	Use With Models
1	TH3ZX006	Upper thermostat with reset	All
2a	TH3ZX001	High limit reset control	All
2b	TH3ZX002	Upper thermostat	All
3	99001204-A	Twist-Lock Flanges	All
4	18G0002	Square Flange Gaskets	All
5*	10G30/120 10G45/120	Upper Square Flange element (240V)	142,152 172
6	18G0020	Plastic drain valve	All
7	TH3ZX004	Lower thermostat	All
8	18G0001	Thermostat brackets	All
9	4500026-A	Hexagonal head screw	All
10	99000060-A 99000061-A	Element access doors	All -3F5, -3F6 All -3F7, -3F8
11*	10G30/120 10G45/120	Lower Square Flange element (240V)	142,152 172
12	DT005280	Dip tube	142
	22002281-A	Dip tube with heat trap (March 2011)	142
	DT005410	Dip tube	152
	22001525-A	Dip tube	172
13	MS145280	Magnesium anode	142
	MS145410	Magnesium anode	152
	MS145510	Magnesium anode	172
14	NP022241 16000015-A	Outlet nipple	142,152 172
15	18G0022 SV0Z4220	T&P relief valve	142,152 172
16	19000009-A	Overflow tube with 90° elbow	All

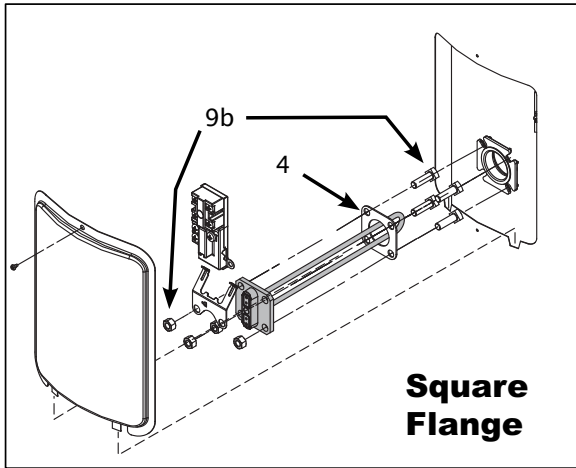
* For 208V element, change 10Gxx /80 for 9AGxx /80
 * For 120V element, change 10Gxx /80 for 09G15 /80





REPLACEMENT PARTS LIST

For models produced prior to Nov. 22nd, 2012



4	18G0002	Square Flange gaskets
9b	18G0013	Machine bolt & hex-head nuts

