



ENGINEERING SUBMITTAL DATA SHEET

Commercial natural gas-fired flue-tampered water heaters

UG65 MODELS

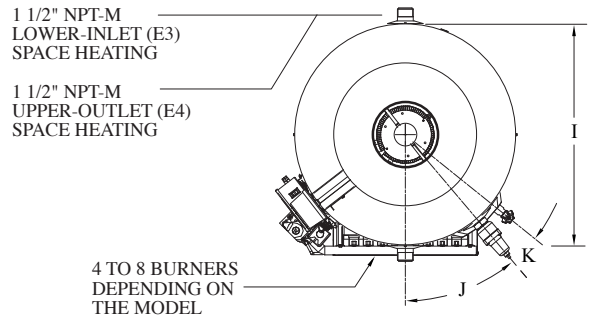
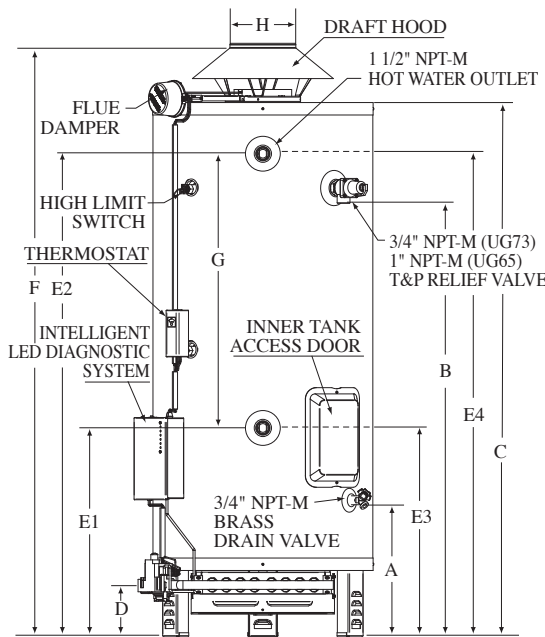
54 imperial gallons / 246 litres
insulated with 2" high density fiberglass



Models	Storage Capacity			Type of gas	Input BTU	Recovery 100 °F (56 °C)			Altitude	Est. ship. weight lb (kg)
	(US) gal	Litres	Imp. gal			(US) gal	Litres	Imp. gal		
UG65-250NH	65	246	54	N	225,000	213	806	177	N & H	465 (211)
UG65-250N	65	246	54	N	250,000	236	893	197	N	465 (211)
UG65-300NH	65	246	54	N	275,000	255	965	212	N & H	465 (211)
UG65-300N	65	246	54	N	300,000	284	1,075	236	N	465 (211)
UG65-360NH	65	246	54	N	324,000	306	1,158	255	N & H	465 (211)
UG65-360N	65	246	54	N	360,000	340	1,287	283	N	465 (211)

DIMENSIONS inches (cm)

Models	A	B	C	D	E1	E2	E3	E4	F	G	H	I	J	K
UG65	15 3/4 (40)	52 1/2 (132)	64 3/8 (164)	6 3/8 (16)	25 1/4 (64)	58 1/4 (148)	25 1/4 (64)	58 1/4 (148)	70 1/2 (179)	33 (84)	8 (20)	26 1/2 (67)	40.3°	10.9°
UG65-250	15 3/4 (40)	52 1/2 (132)	64 3/8 (164)	6 3/8 (16)	25 1/4 (64)	58 1/4 (148)	25 1/4 (64)	58 1/4 (148)	70 1/2 (179)	33 (84)	7 (18)	26 1/2 (67)	40.3°	10.9°



JOB TITLE _____

ADDRESS _____

CONTRACTOR _____

ADDRESS _____

ENGINEER _____

SUBMITTED DATE _____

REQUIRED PRODUCT _____

MODEL NO. _____	SIZE _____	QUANTITY _____
MODEL NO. _____	SIZE _____	QUANTITY _____
MODEL NO. _____	SIZE _____	QUANTITY _____
MODEL NO. _____	SIZE _____	QUANTITY _____

REQUIRED DATE _____

In accordance with our company policy of on-going product improvement, Giant Factories Inc. reserves the right to make changes without prior notice.

giantinc.com



40 Lesage Avenue, Montréal-East (Québec) Canada H1B 5H3 • Telephone: (514) 645-8893 • Fax: (514) 640-0969