



Enhancing everyday living



ENGINEERING SUBMITTAL DATA SHEET

FPVIR compliant residential direct vent
natural & propane gas-fired water heaters

UG50 MODELS

42 imperial gallons / 189 Litres

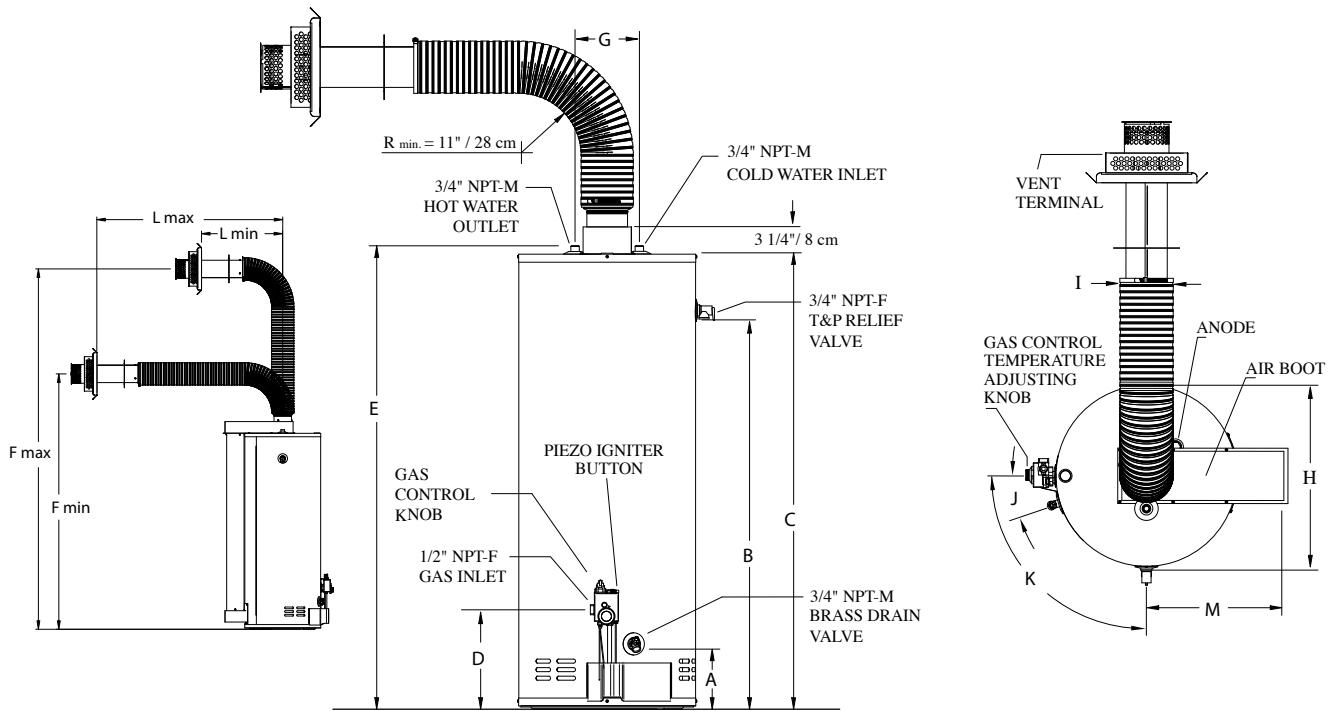
insulated with 2" eco-friendly **GREENFOAM**

These models meet the safety and construction requirements of CSA 4.1 Standard
and meet or exceed NRCAN energy efficiency requirements

Models	Storage Capacity			Type of gas	Input BTU	Recovery 90 °F / 50 °C			E. F. Number	Altitude	Est. ship. weight lb (kg)
	(US) gal	Litres	Imp. gal			(US) gal	Litres	Imp. gal			
UG50-36TFDVF-P2U	50	189	42	LP	36,000	36.9	139	30.7	0.58	N & H	185 (84)
UG50-41TFDVF-P2U	50	189	42	LP	41,000	42.0	159	35.0	0.58	N	185 (84)
UG50-36TFDVF-N2U	50	189	42	N	36,000	36.9	139	30.7	0.58	N & H	185 (84)
UG50-41TFDVF-N2U	50	189	42	N	41,000	42.0	159	35.0	0.58	N	185 (84)

DIMENSIONS inches (cm)

Models	A	B	C	D	E	F		G	H	I	J	K	L		M
						Min.	Max.						Min.	Max.	
All UG50	7 $\frac{3}{8}$ (18)	48 $\frac{1}{4}$ (123)	56 $\frac{1}{2}$ (144)	12 $\frac{3}{8}$ (31)	59 $\frac{7}{8}$ (152)	76 (193)	144 (366)	8 (20)	22 (56)	6 (15)	17.5 $^{\circ}$	90.0 $^{\circ}$	26 (66)	90 (229)	17 $\frac{1}{4}$ (44)



JOB TITLE _____

ADDRESS _____

CONTRACTOR _____

ADDRESS _____

ENGINEER _____

SUBMITTED DATE _____

REQUIRED PRODUCT _____

MODEL NO. _____ SIZE _____ QUANTITY _____

MODEL NO. _____ SIZE _____ QUANTITY _____

MODEL NO. _____ SIZE _____ QUANTITY _____

MODEL NO. _____ SIZE _____ QUANTITY _____

REQUIRED DATE _____

In accordance with our company policy of on-going product improvement, Giant Factories Inc. reserves the right to make changes without prior notice.

giantinc.com



40 Lesage Avenue, Montréal-East (Québec) Canada H1B 5H3 • Telephone: (514) 645-8893 • Fax: (514) 640-0969