



Enhancing everyday living

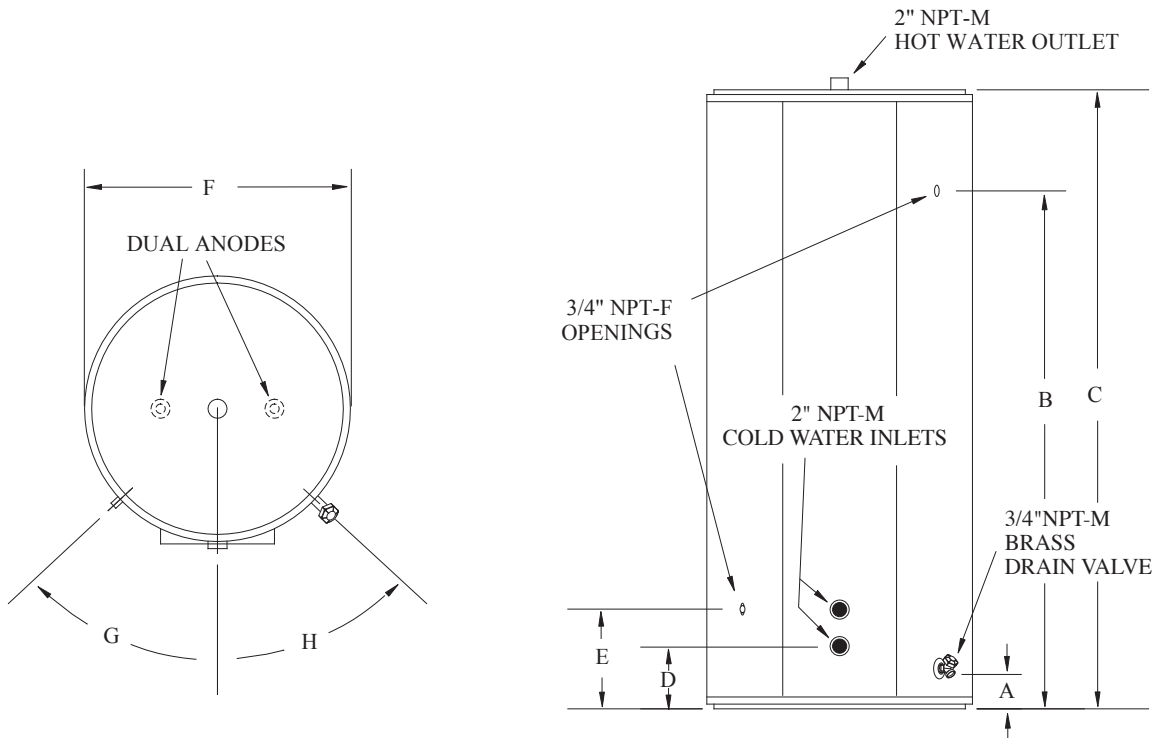
ENGINEERING SUBMITTAL DATA SHEET

Commercial storage tank
1100-ISO MODEL

100 imperial gallons / 455 litres



Model	Storage Capacity			Dimensions Inches (cm)								Est. Ship. Weight lb (kg)
	gal (US)	Litres	gal (Imp)	A	B	C	D	E	F	G	H	
1100-ISO	120	455	100	3 (9)	58 (144)	67 ¼ (170)	6½ (17)	10½ (27)	28 ¼ (71)	47°	47°	415 (188)



JOB TITLE _____

ADDRESS _____

CONTRACTOR _____

ADDRESS _____

ENGINEER _____

SUBMITTED DATE _____

REQUIRED PRODUCT _____

MODEL NO. _____ SIZE _____ QUANTITY _____

MODEL NO. _____ SIZE _____ QUANTITY _____

MODEL NO. _____ SIZE _____ QUANTITY _____

MODEL NO. _____ SIZE _____ QUANTITY _____

REQUIRED DATE _____

In accordance with our company policy of on-going product improvement, Giant Factories Inc. reserves the right to make changes without prior notice.

giantinc.com



40 Lesage Avenue, Montréal-East (Québec) Canada H1B 5H3 • Telephone: (514) 645-8893 • Fax: (514) 640-0969



Enhancing everyday living

ENGINEERING SUBMITTAL DATA SHEET

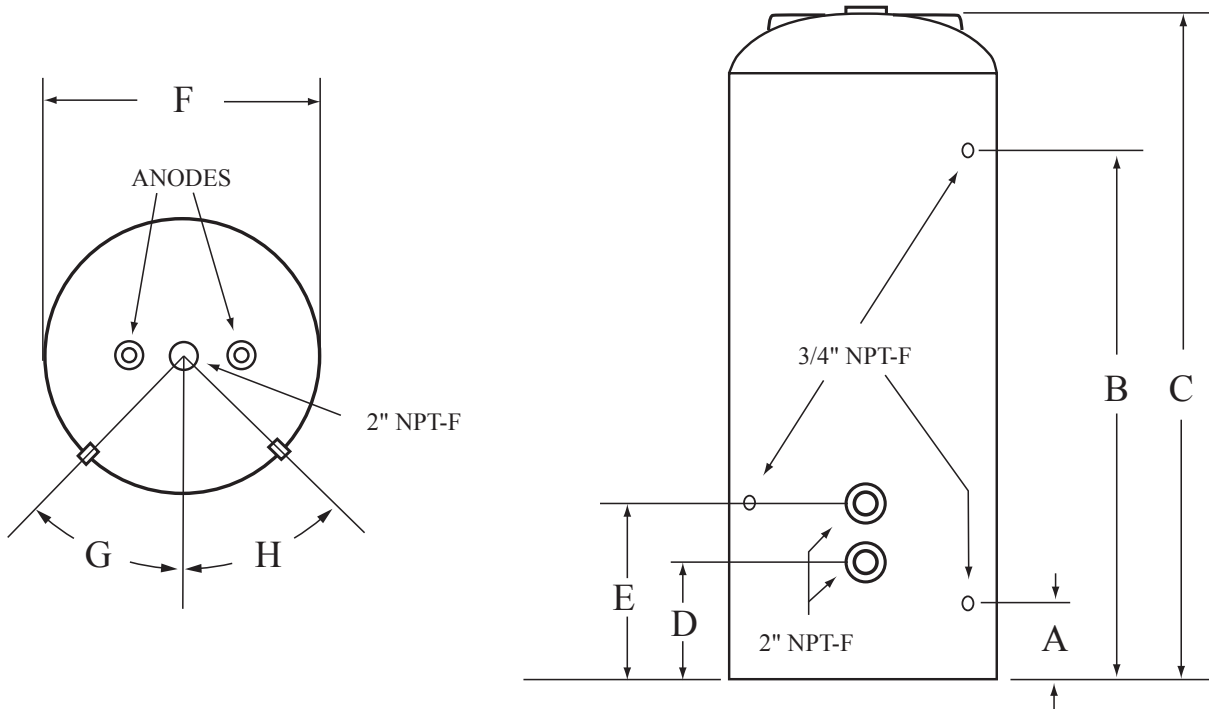
Commercial storage tank

1101 MODEL, not insulated

100 imperial gallons / 455 litres



Model	Storage Capacity			Dimensions Inches (cm)								Est. Ship. Weight lb (kg)
	gal (US)	Litres	gal (Imp)	A	B	C	D	E	F	G	H	
1101	120	455	100	2 3/8 (6)	56 1/2 (144)	65 1/2 (100)	6 1/2 (17)	10 1/2 (27)	24 (61)	47°	47°	370 (168)



JOB TITLE _____

ADDRESS _____

CONTRACTOR _____

ADDRESS _____

ENGINEER _____

SUBMITTED DATE _____

REQUIRED PRODUCT _____

MODEL NO. _____ SIZE _____ QUANTITY _____

MODEL NO. _____ SIZE _____ QUANTITY _____

MODEL NO. _____ SIZE _____ QUANTITY _____

MODEL NO. _____ SIZE _____ QUANTITY _____

REQUIRED DATE _____

In accordance with our company policy of on-going product improvement, Giant Factories Inc. reserves the right to make changes without prior notice.

giantinc.com



40 Lesage Avenue, Montréal-East (Québec) Canada H1B 5H3 • Telephone: (514) 645-8893 • Fax: (514) 640-0969